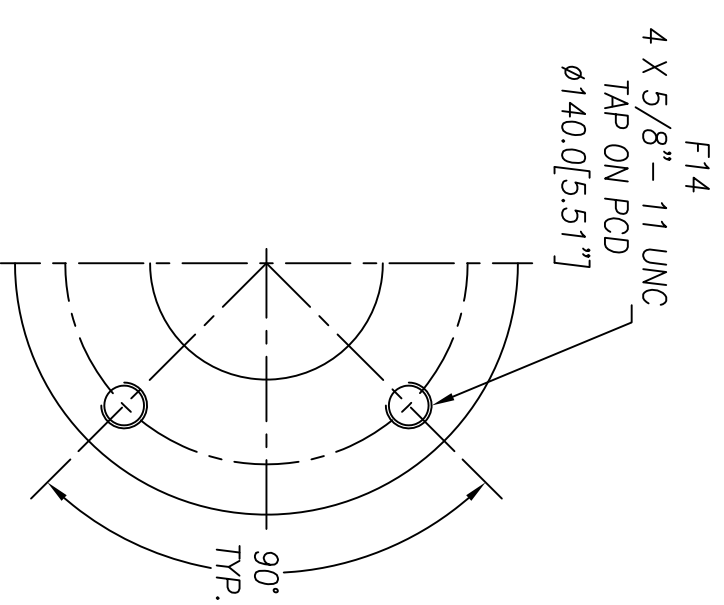
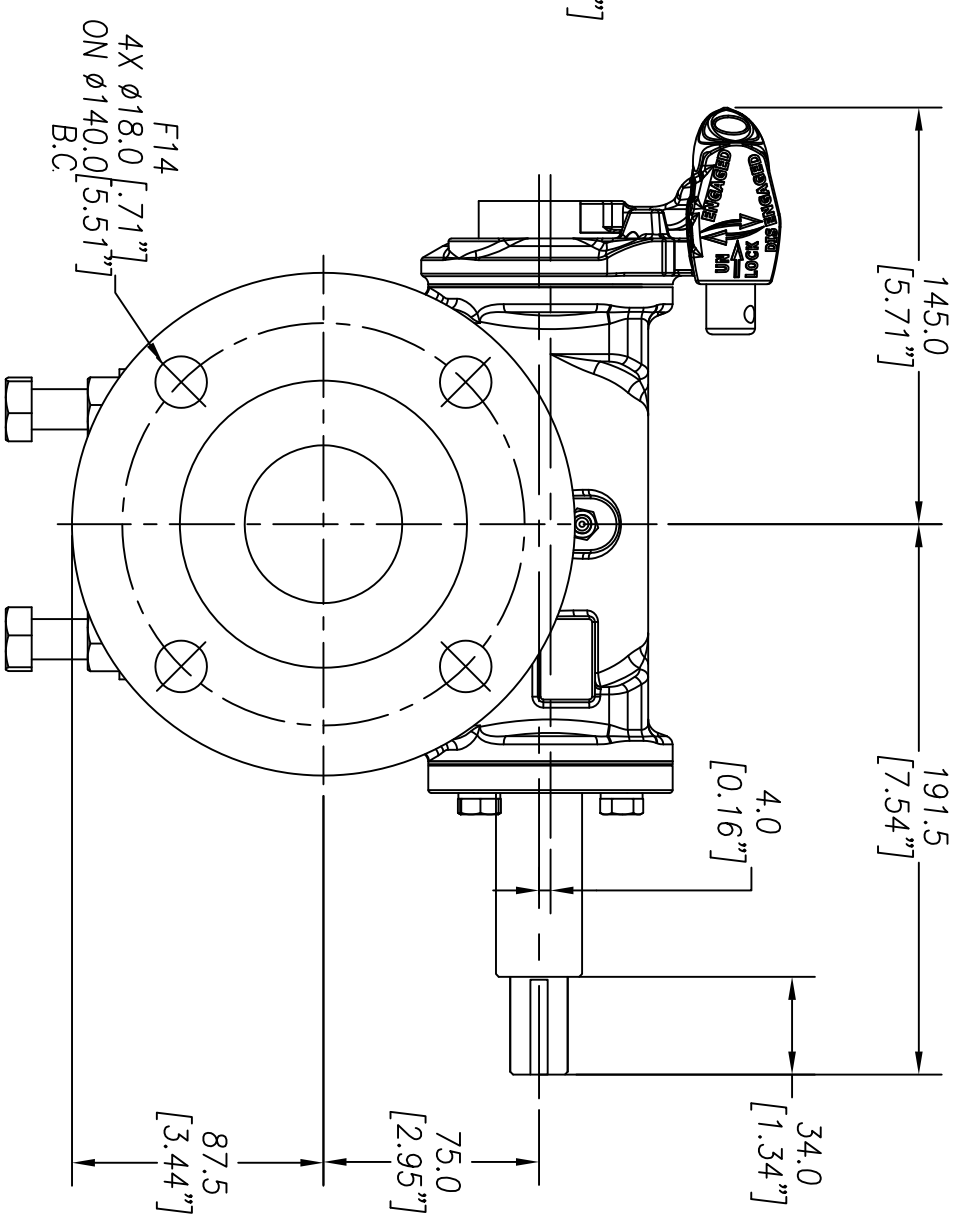
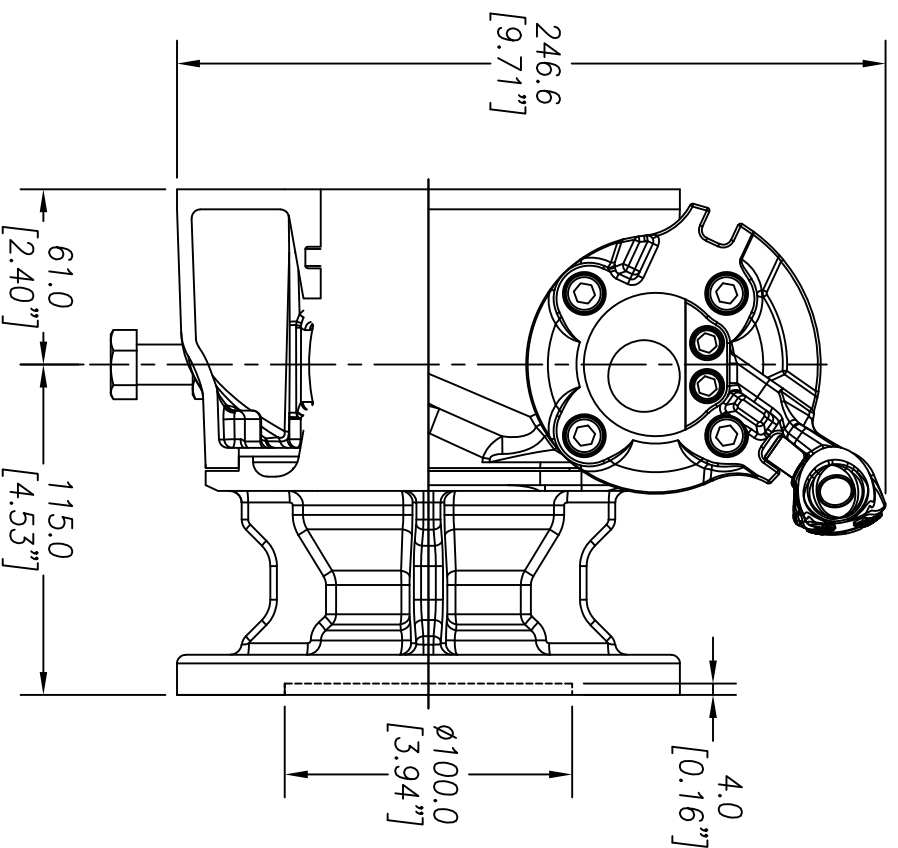


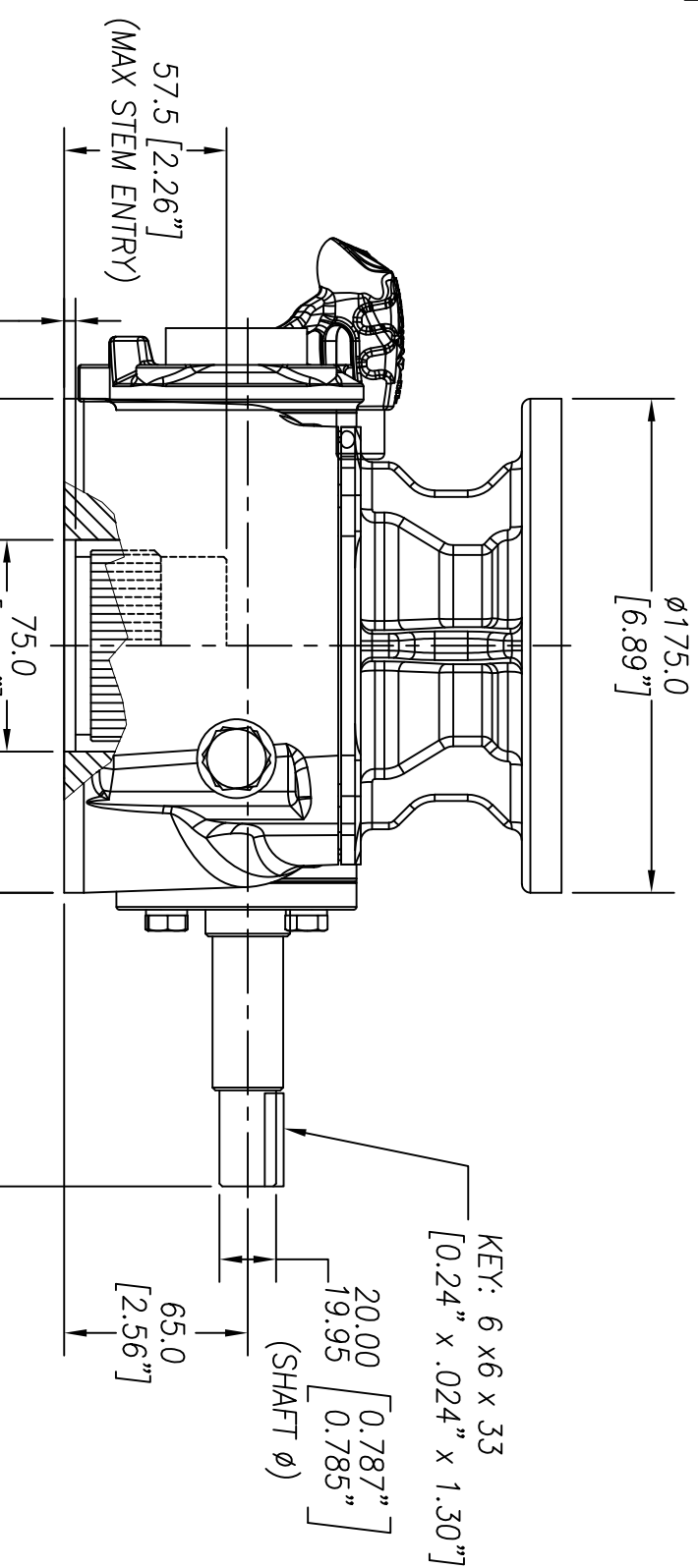
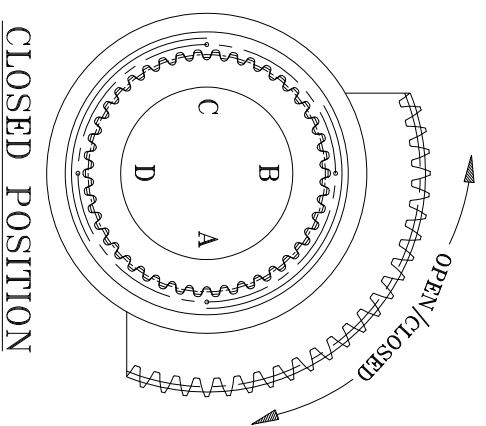
DIAMOND GEAR

13DW38



Standard Mounting
Flange For Valve

ISO F14



UNITS: MM [Inches]

MAX. OUTPUT TORQUE [N.LB]	MAX. INPUT TORQUE [N.LB]	RATIO	MECHANICAL ADVANTAGE	OUTPUT ANGULAR STROKE	TURN PER 90°	WEIGHT [LB]	MAX. ROUND BORE [IN.]	MAX. SQUARE BORE [IN.]	STANDARD ACTUATOR MOUNTING STRADDLE C/L	STANDARD VALVE MOUNTING STRADDLE C/L
13,092	984	38:1	13.3	±20°	9.5	40	φ1.75 Key: 3/8 x 1/4	1.5	F14	F14

C921225A

01/11/19

REV. 0

HW DIA.	RIM PULL AT MAX. I/P TORQUE (lbs.)
16"	123

CNC FLOW CONTROL
HOUSTON, TEXAS, USA
PHONE: 713-466-1644, FAX: 713-466-1715