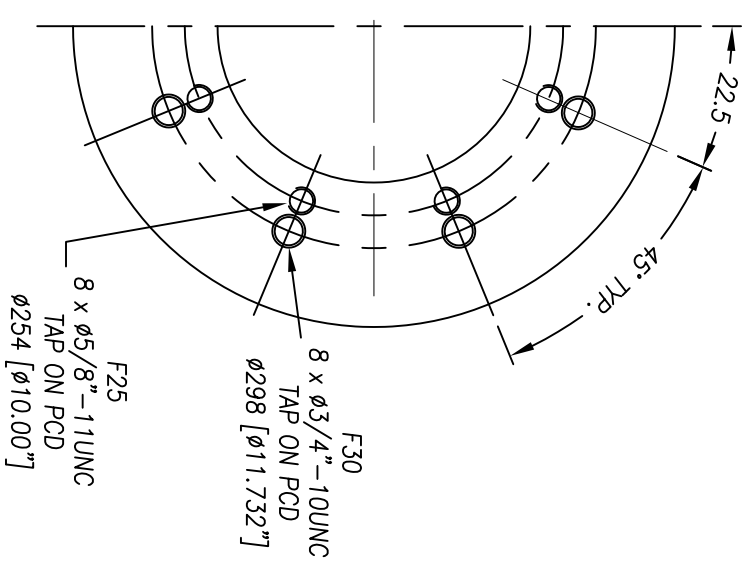
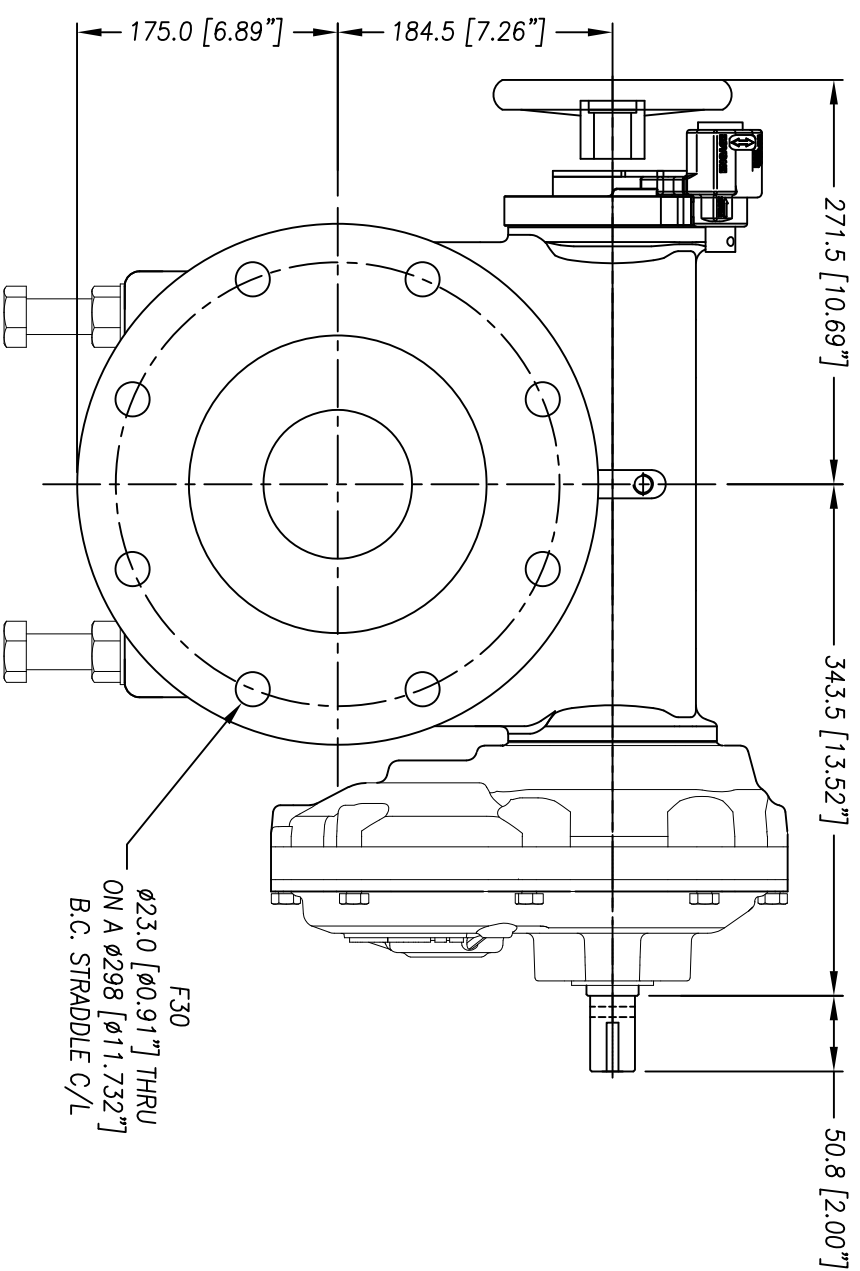
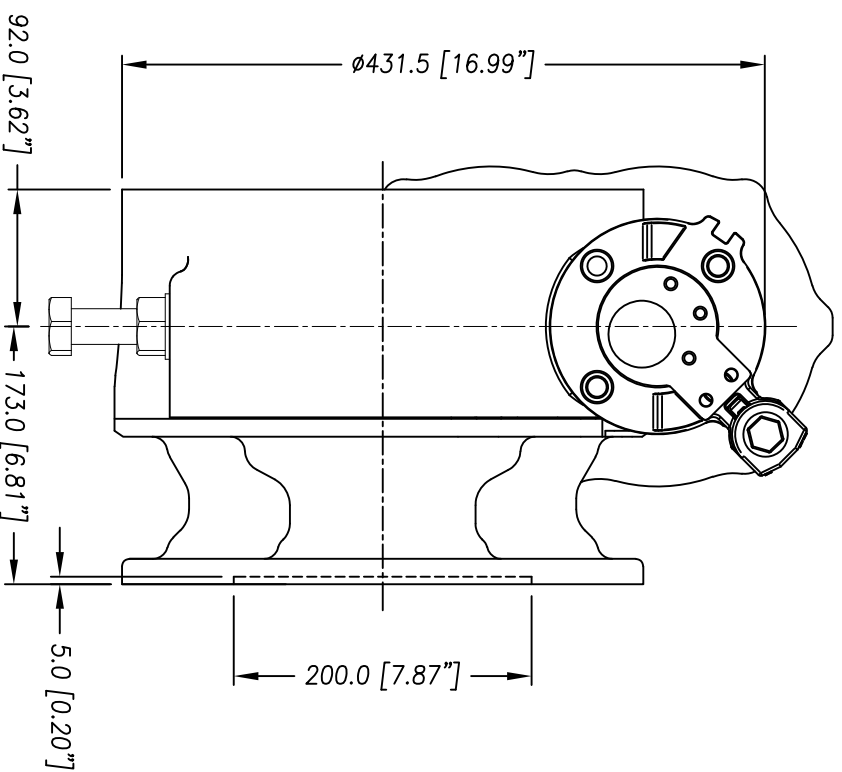
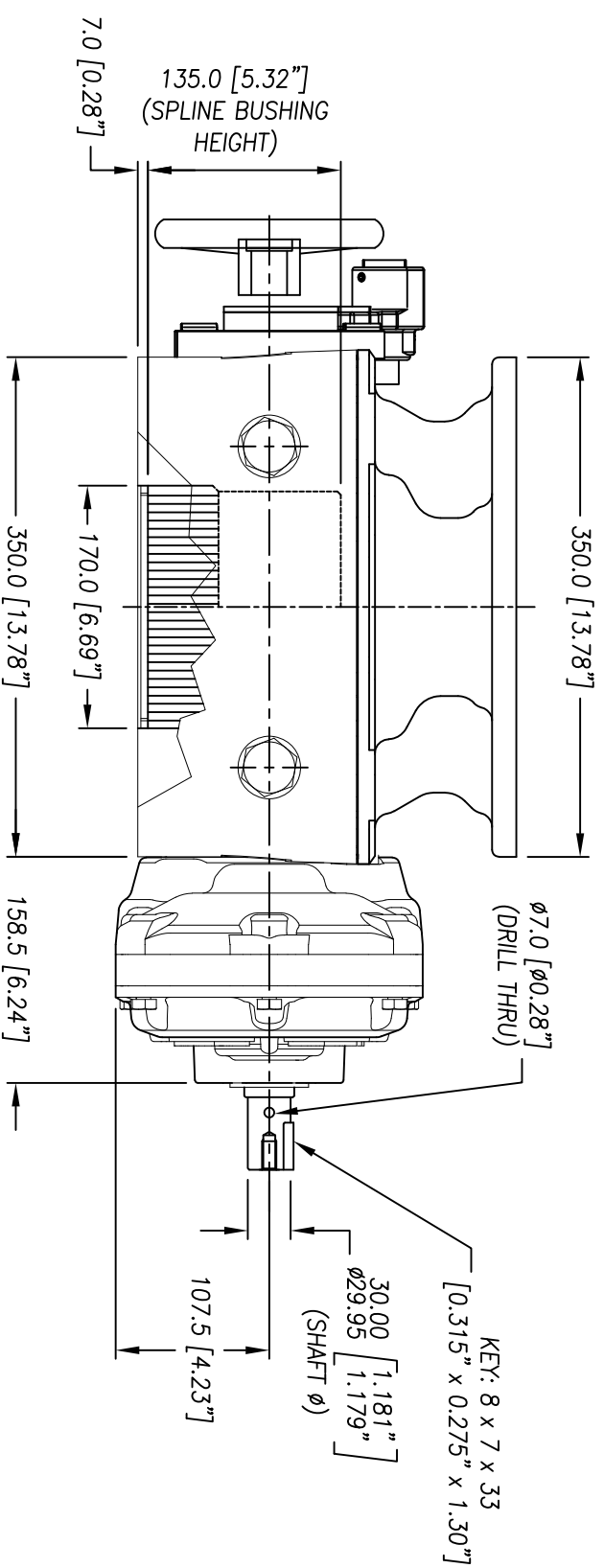
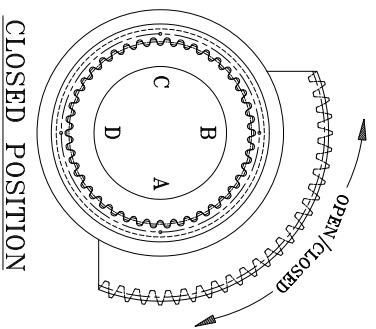


DIAMOND GEAR

142DW288



Standard Mounting Flange For Valve ISO FA25 & FA30



DIA.	RIM PULL AT MAX. I/P TORQUE (lbs.)
20"	126
24"	105
30"	84
36"	70
48"	53

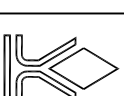
REV. D

0201038D

12/16/18

UNITS: MM [Inches]

MAX. OUTPUT TORQUE [N.LB]	MAX. INPUT TORQUE [N.LB]	RATIO	MECHANICAL ADVANTAGE	OUTPUT ANGULAR STROKE	TURN PER 90°	WEIGHT [LB]	MAX. ROUND BORE [IN.]	MAX. SQUARE BORE [IN.]	STANDARD ACTUATOR MOUNTING STRADDLE C/L [IN.]	STANDARD VALVE MOUNTING STRADDLE C/L [IN.]
142,762	1260	288:1	117.3	±20°	72	280	φ4.53 Key: 1.25" x 7/8"	3.62	F30	F25 & F30



CNC FLOW CONTROL
HOUSTON, TEXAS, USA
PHONE: 713-466-1644, FAX: 713-466-1715

