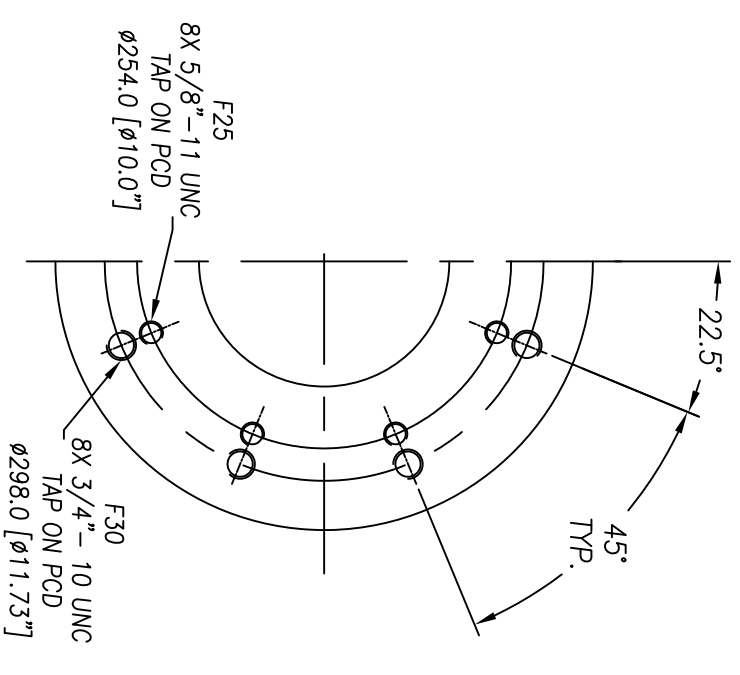
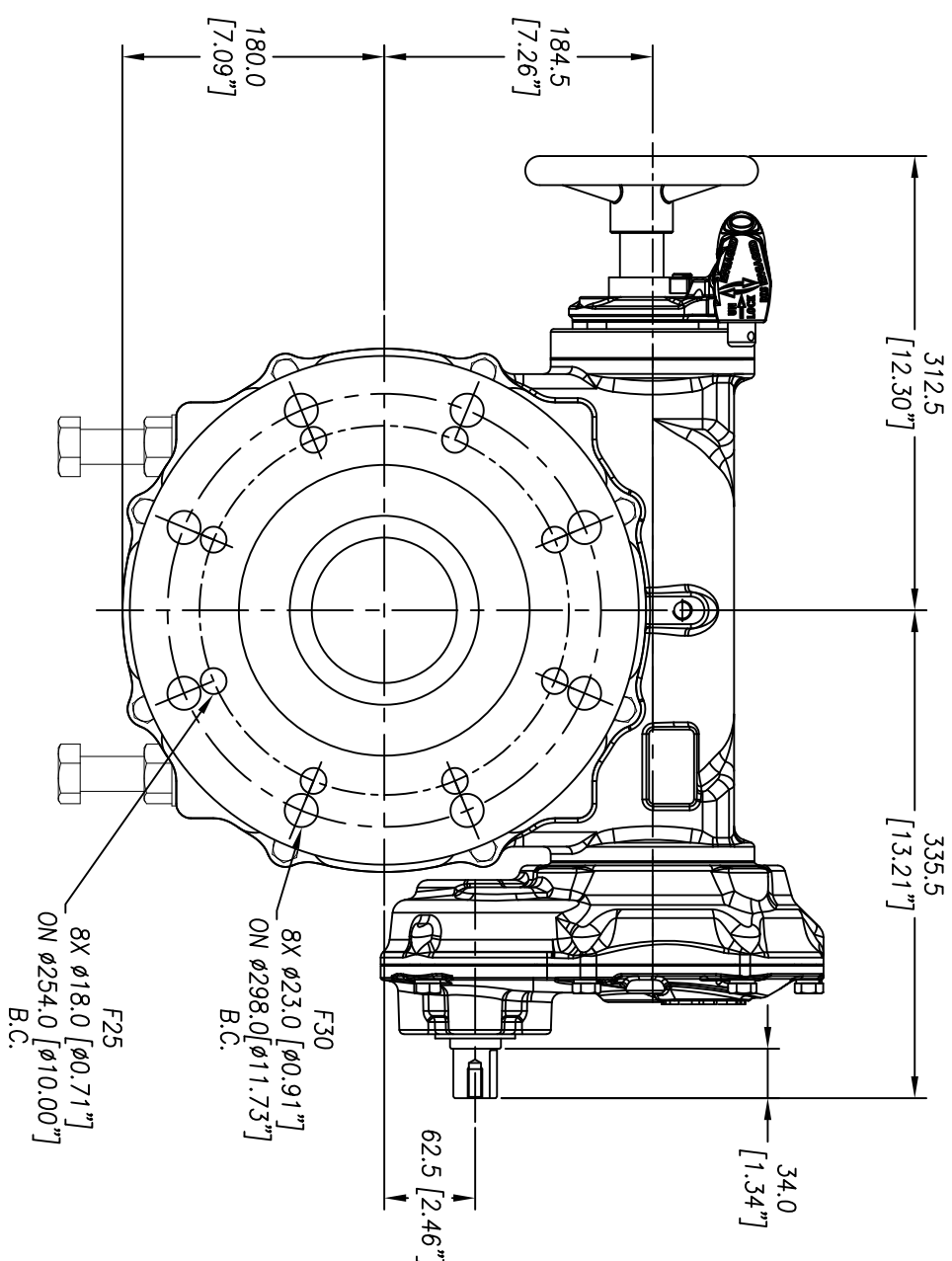
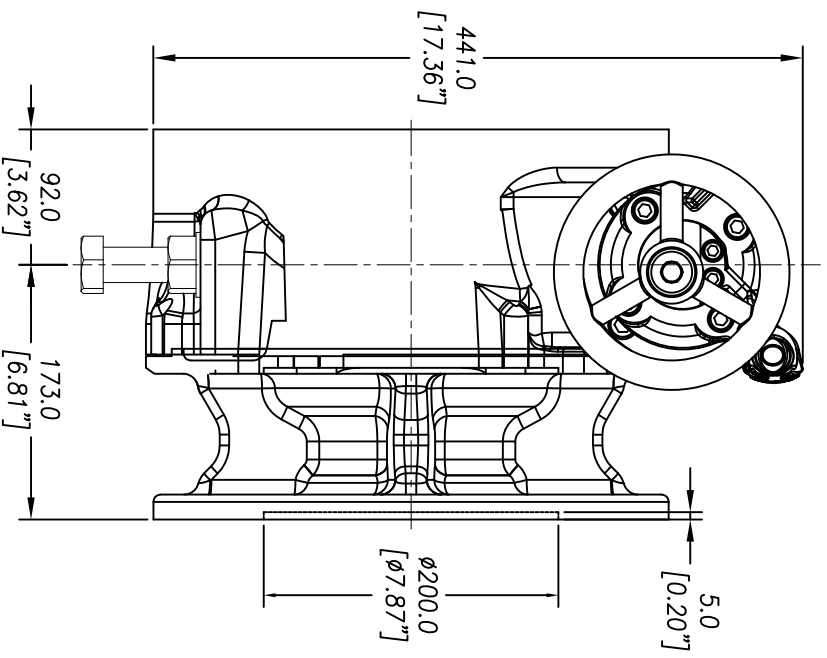
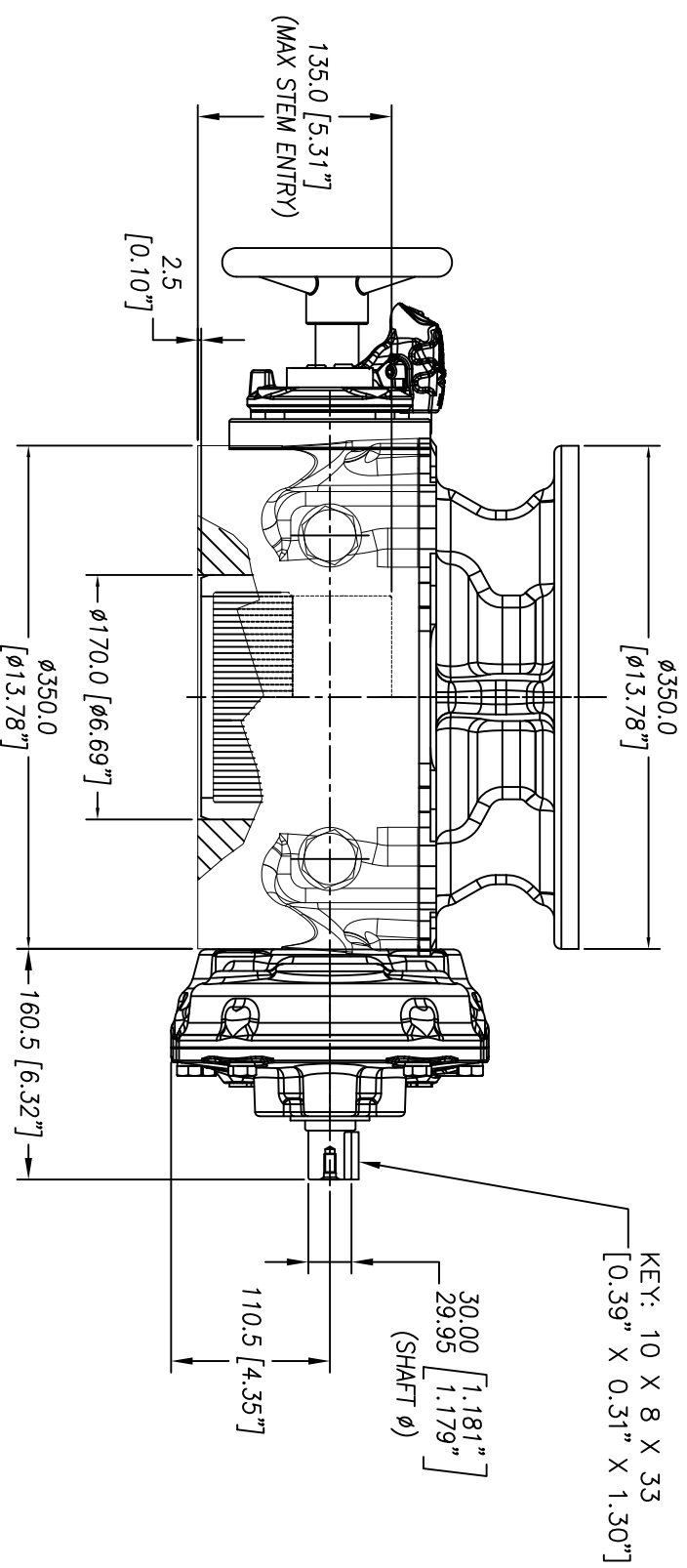
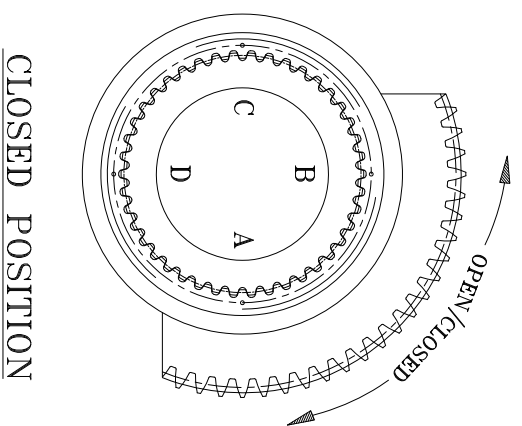


# DIAMOND GEAR

# 147DW158



Standard Mounting Flange For Valve ISO F25 & F30



HW DIA.	RIM PULL AT MAX. I/P TORQUE (Lbs.)
28"	222

REV. 0

UNITS: MM [Inches]

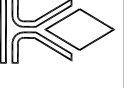
C921234A

12/19/18

MAX. OUTPUT TORQUE [N.LB]	MAX. INPUT TORQUE [N.LB]	RATIO	MECHANICAL ADVANTAGE	OUTPUT ANGULAR STROKE	TURN PER 90°	WEIGHT [LB]	MAX. ROUND BORE [IN.]	MAX. SQUARE BORE [IN.]	STANDARD ACTUATOR MOUNTING STRADDLE C/L	STANDARD VALVE MOUNTING STRADDLE C/L
147,364	3,115	157.9:1	47.3	±20°	39.5	258	ø4.375 Key: 1 x 3/4	3.62	F25 & F30	F25 & F30



**CNC FLOW CONTROL**  
HOUSTON, TEXAS, USA



PHONE: 713-466-1644, FAX: 713-466-1715