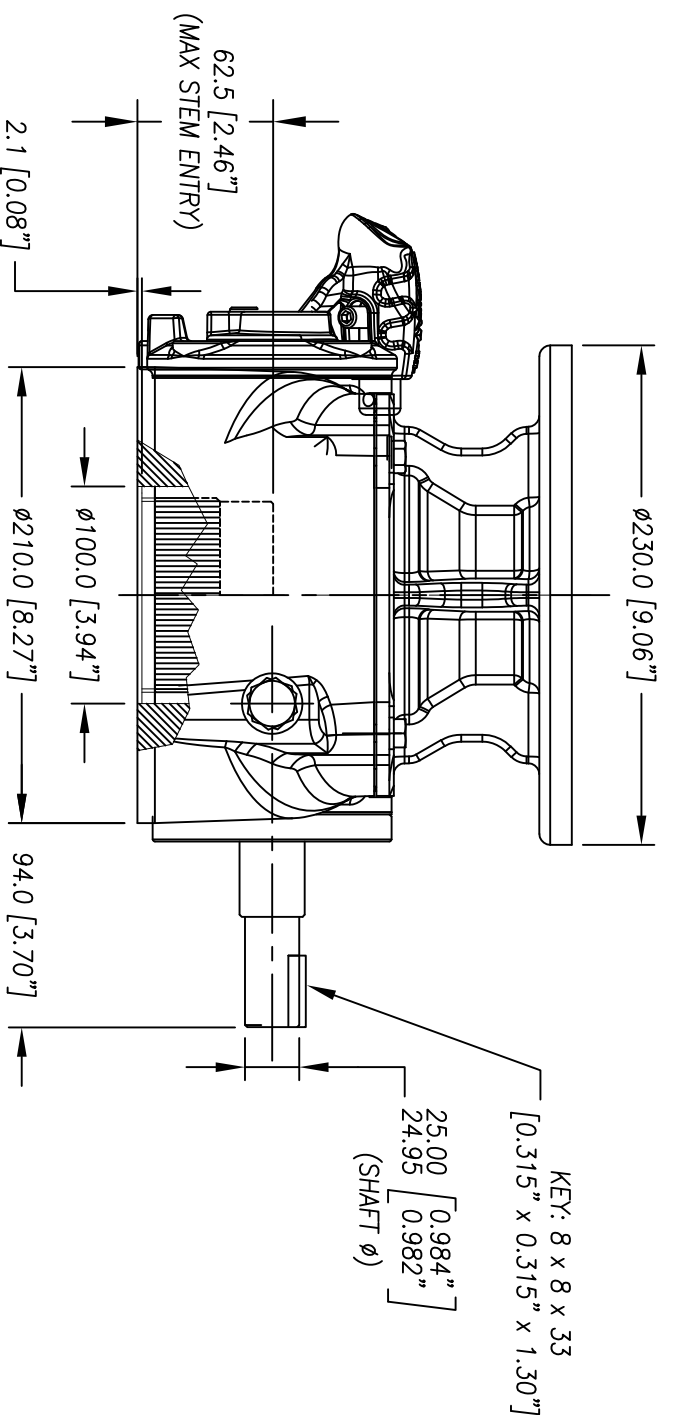
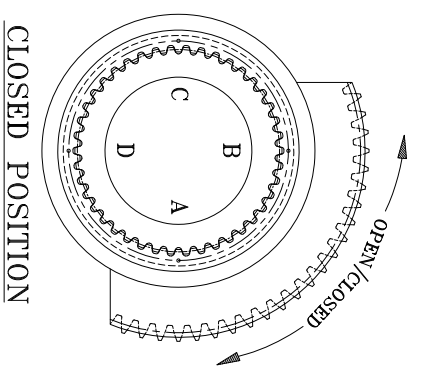


Standard Mounting
Flange For Valve ISO FA16



UNITS: MM [Inches]

MAX. OUTPUT TORQUE [N.LB]	MAX. INPUT TORQUE [N.LB]	RATIO	MECHANICAL ADVANTAGE	OUTPUT ANGULAR STROKE	TURN PER 90°	WEIGHT [LB]	MAX. ROUND BORE [IN.]	MAX. SQUARE BORE [IN.]	STANDARD ACTUATOR MOUNTING STRADDLE C/L [IN.]	STANDARD VALVE MOUNTING STRADDLE C/L [IN.]
19,095	1,038	41:1	18.4	±20°	10.5	66	φ2.375 Key:5/8x7/16	2.125	F16 & F19	F16

DIA.	RIM PULL AT MAX. I/P TORQUE (lbs.)
16"	130
18"	115
20"	104
24"	87

REV. C

0201042D

12/19/18

DIAMOND GEAR CO. LTD.
HOUSTON, TEXAS, USA
PHONE: 713-590-0270, FAX: 713-590-0278