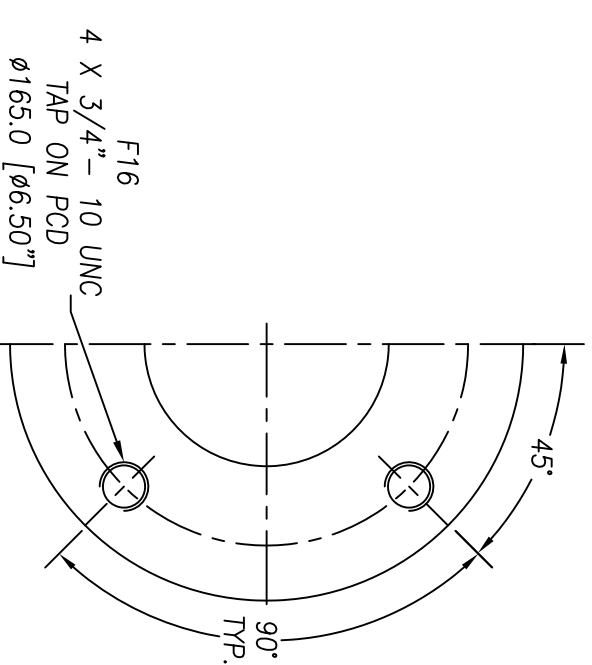
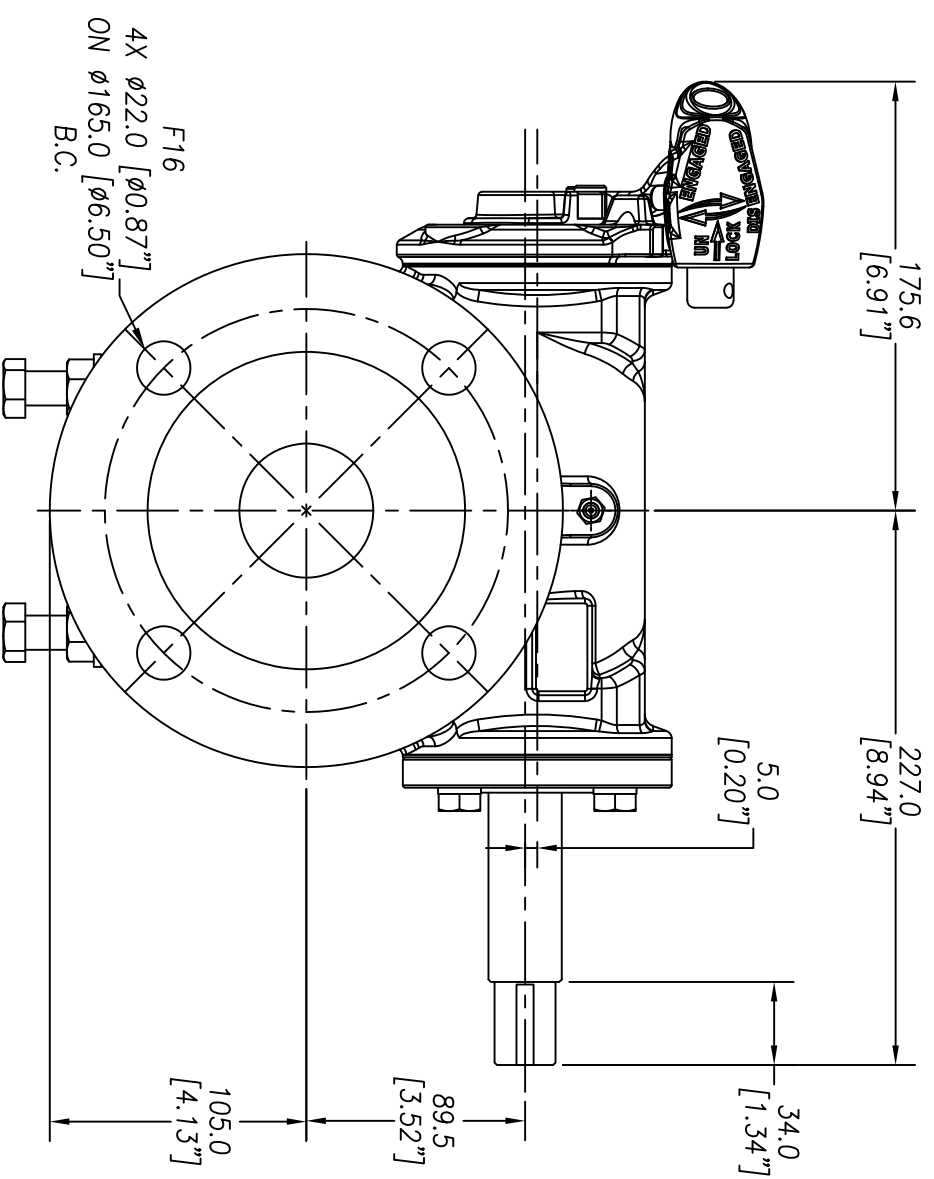
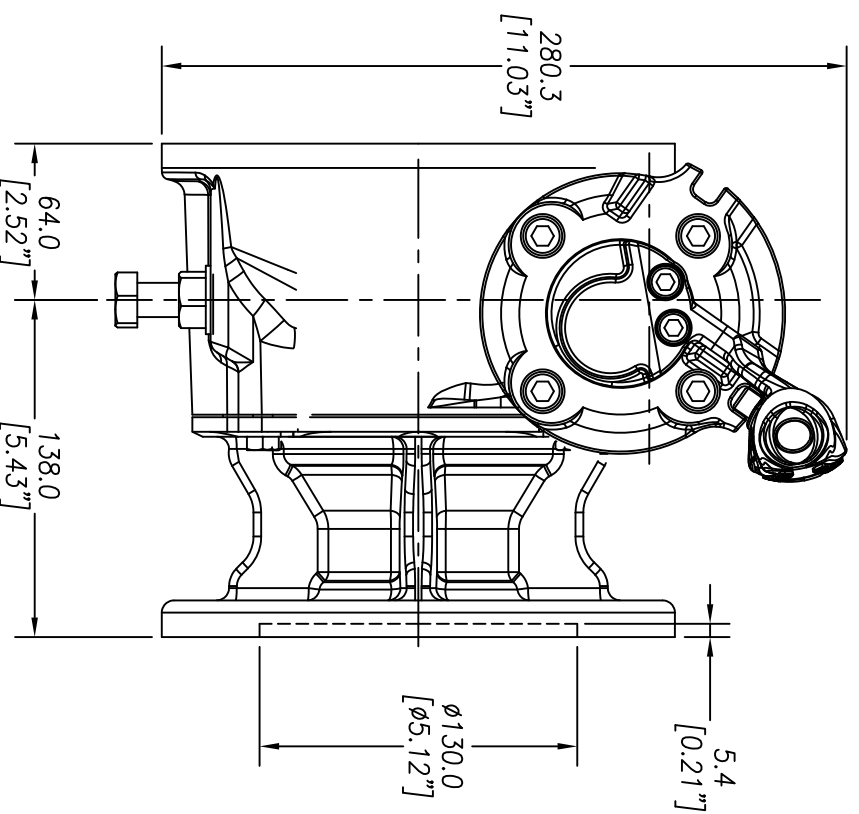
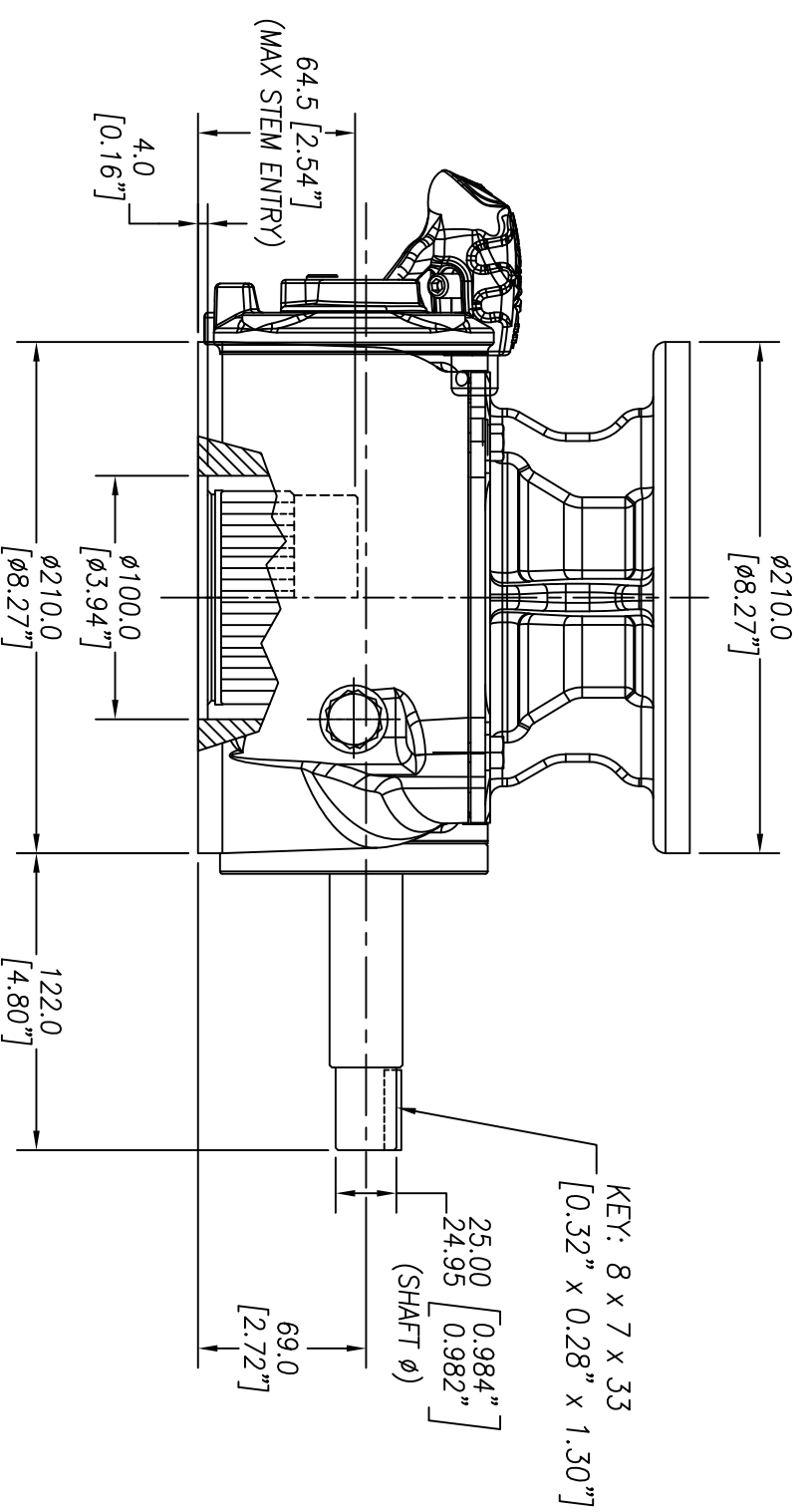
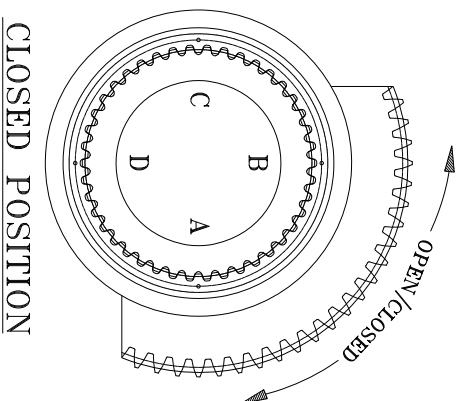


# DIAMOND GEAR

# 24.5DW41



Standard Mounting  
Flange For Valve ISO F16



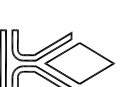
HW DIA.	RIM PULL AT MAX. I/P TORQUE (lbs.)
20"	171.1

REV. 0

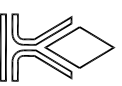
UNITS: MM [Inches]

C921237A 01/11/19

MAX. OUTPUT TORQUE [N.LB]	MAX. INPUT TORQUE [N.LB]	RATIO	MECHANICAL ADVANTAGE	OUTPUT ANGULAR STROKE	TURN PER 90°	WEIGHT [LB]	MAX. ROUND BORE [IN.]	MAX. SQUARE BORE [IN.]	STANDARD ACTUATOR MOUNTING STRADDLE C/L	STANDARD VALVE MOUNTING STRADDLE C/L
24,644	1,711	41:1	14.4	±20°	10.25	66	2.375	2.125	F16	F16
							Key: 5/8 x 7/16			



**CNC FLOW CONTROL**  
HOUSTON, TEXAS, USA



PHONE: 713-466-1644, FAX: 713-466-1715