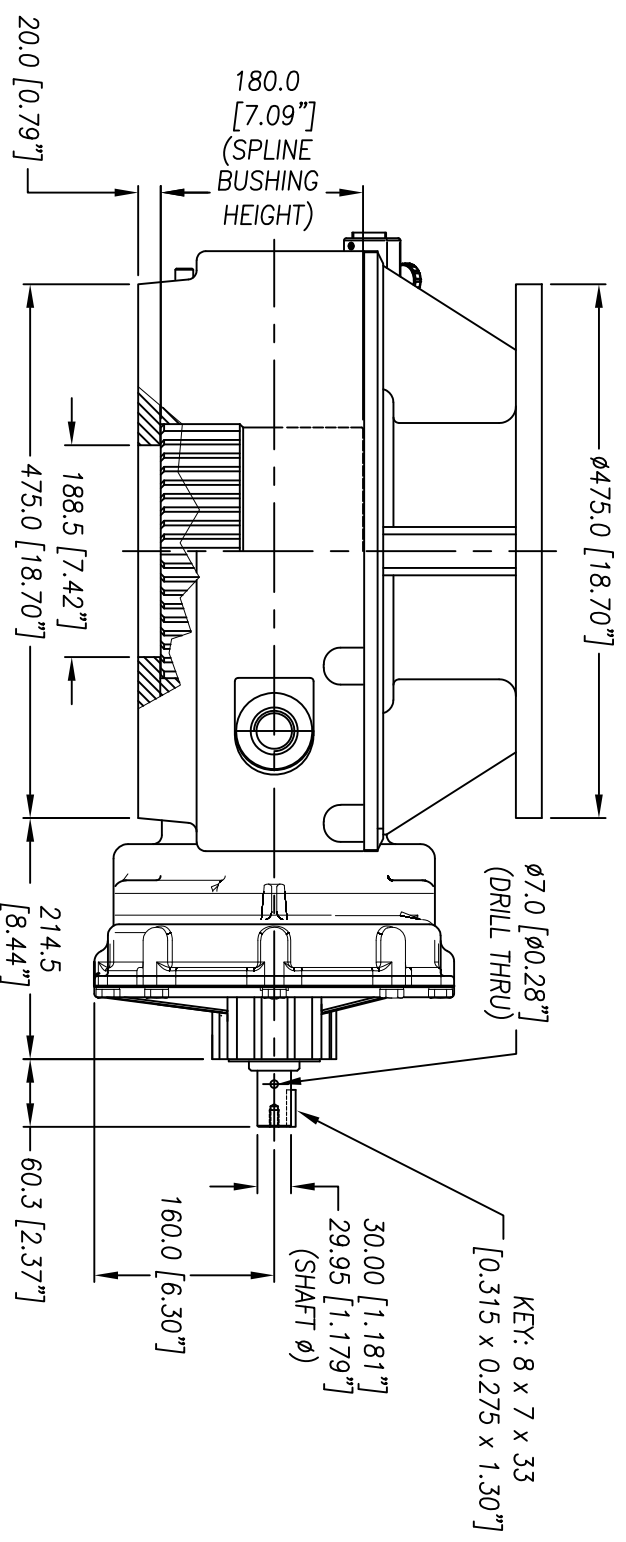
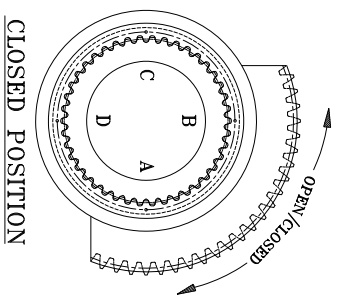
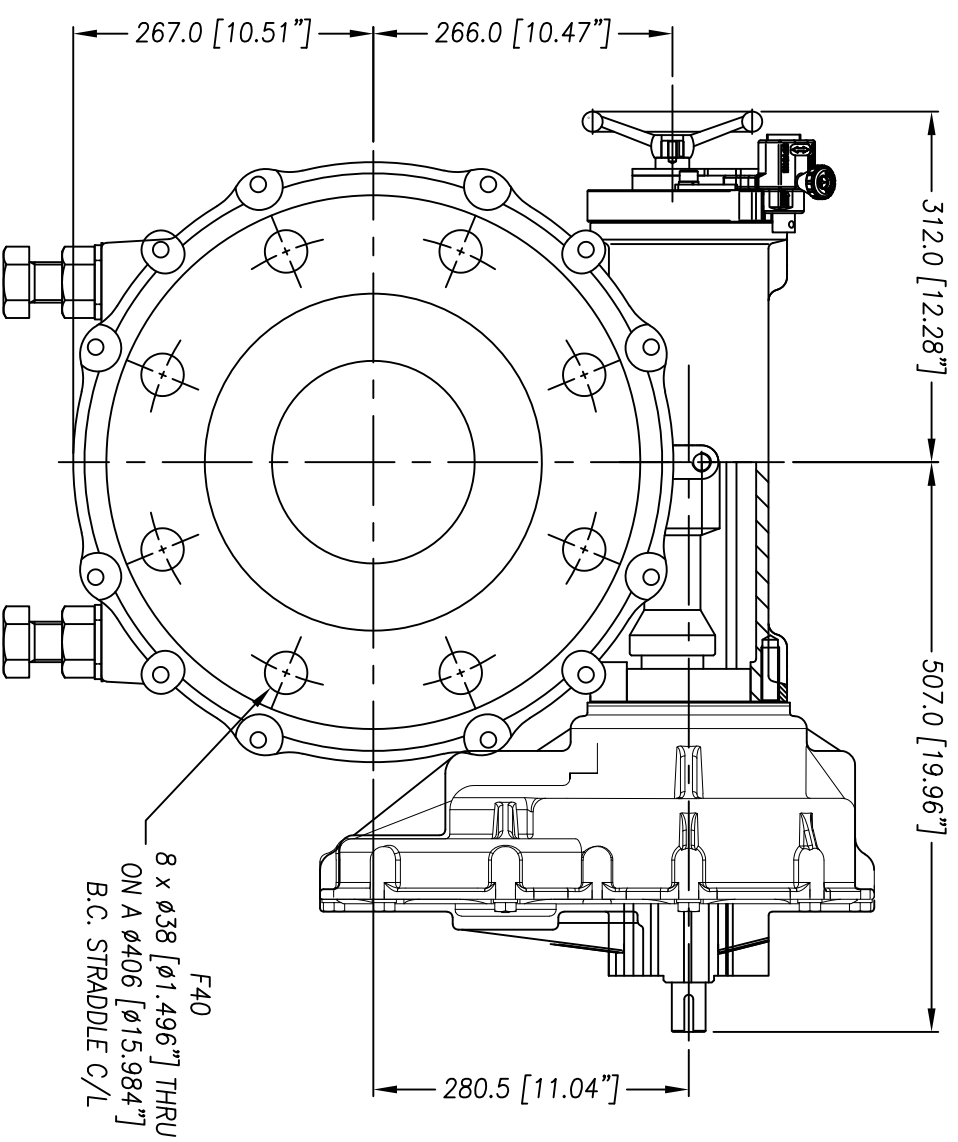
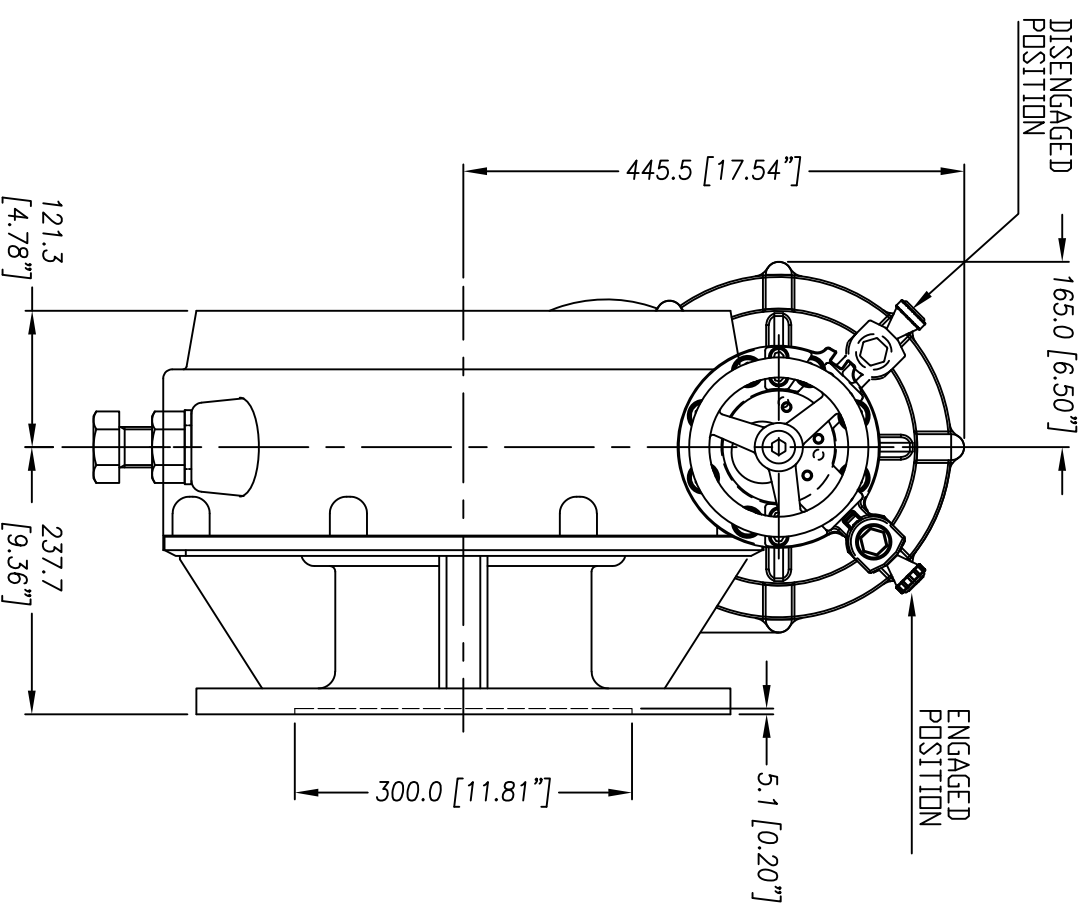


# DIAMOND GEAR

# 350DW938



Standard Mounting Flange For Valve

ISO FA40

8 x  $\phi 1-1/4$ -7UNC TAP ON PCD  $\phi 406$  [ $\phi 15.984$ ]

UNITS: MM [Inches]

MAX. OUTPUT TORQUE [N.LB]	MAX. INPUT TORQUE [N.LB]	RATIO	MECHANICAL ADVANTAGE	OUTPUT ANGULAR STROKE	TURN PER 90°	WEIGHT [LB]	MAX. ROUND BORE [IN.]	MAX. SQUARE BORE [IN.]	STANDARD ACTUATOR MOUNTING STRADDLE C/L [IN.]	STANDARD VALVE MOUNTING STRADDLE C/L [IN.]
350,000	1,493	938:1	234.5	±10°	234.5	771	ø6.70 Key:1.25x1"	4.75	F40	F40

DIA.	RIM PULL AT MAX. O/P TORQUE (lbs.)
24"	125
30"	100
36"	83
48"	62

REV. D

0201046D

12/16/18

**CNC FLOW CONTROL**  
**HOUSTON, TEXAS, USA**  
**PHONE: 713-466-1644, FAX: 713-466-1715**