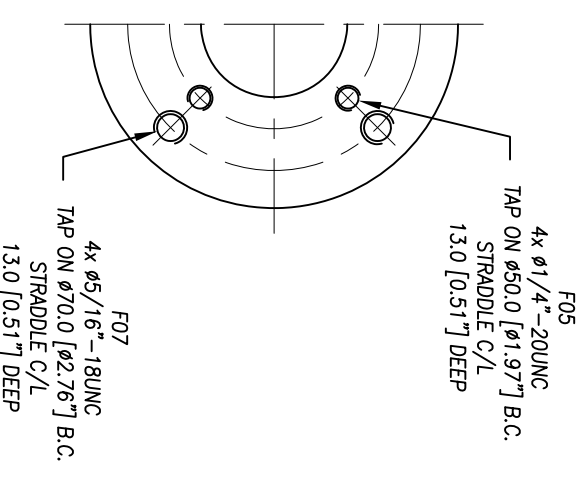
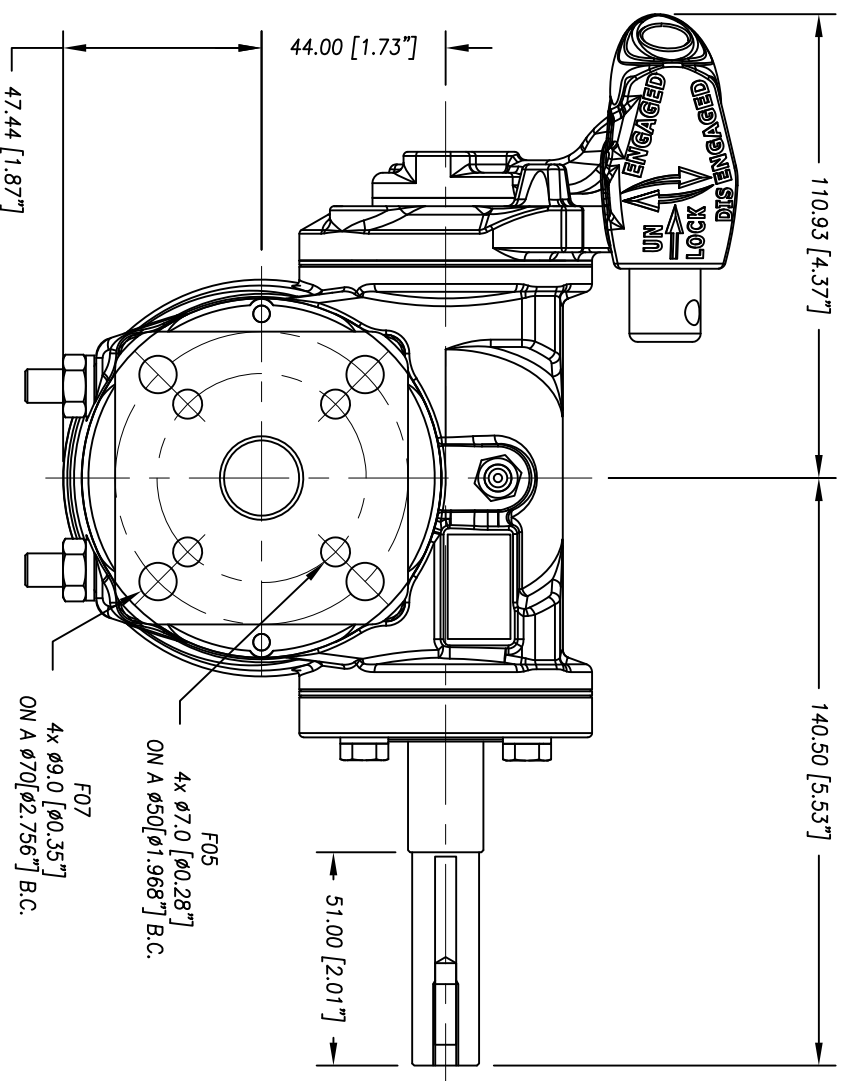
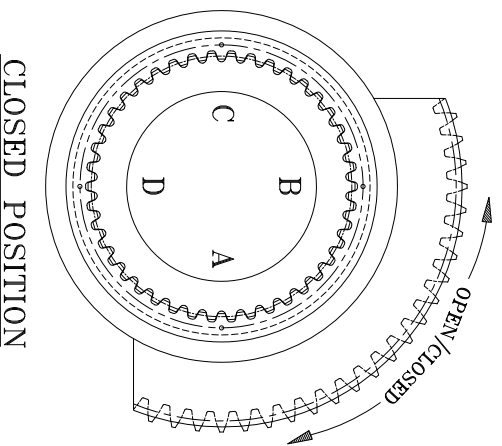
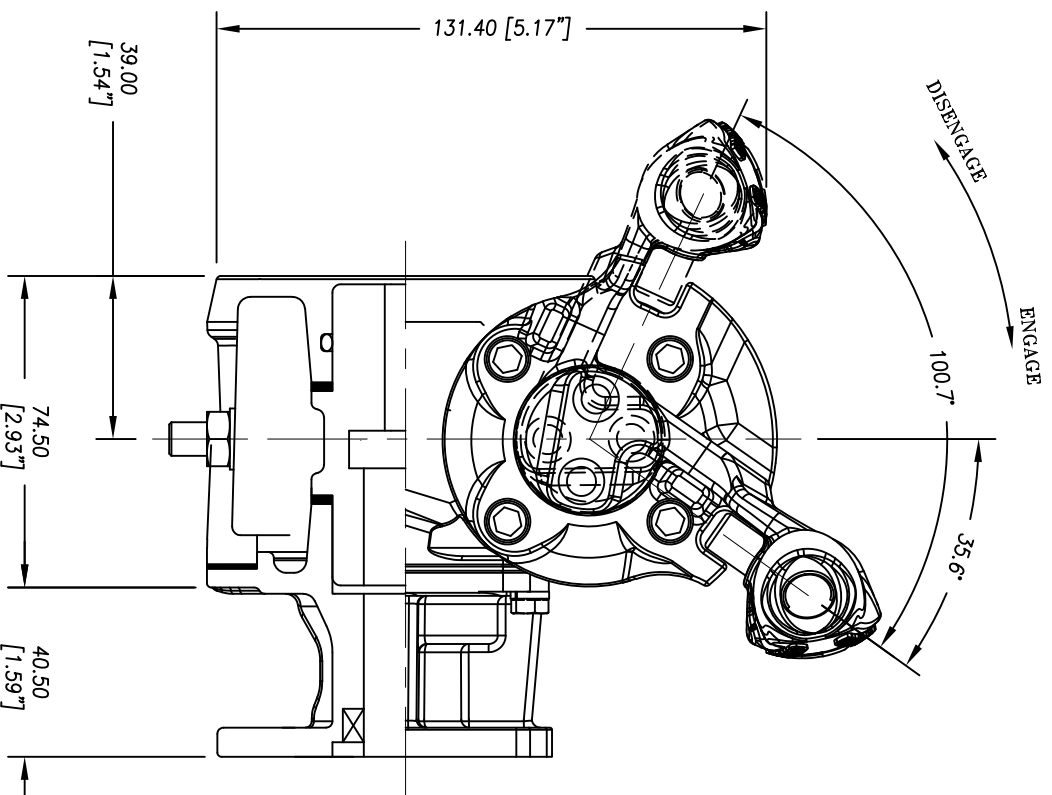
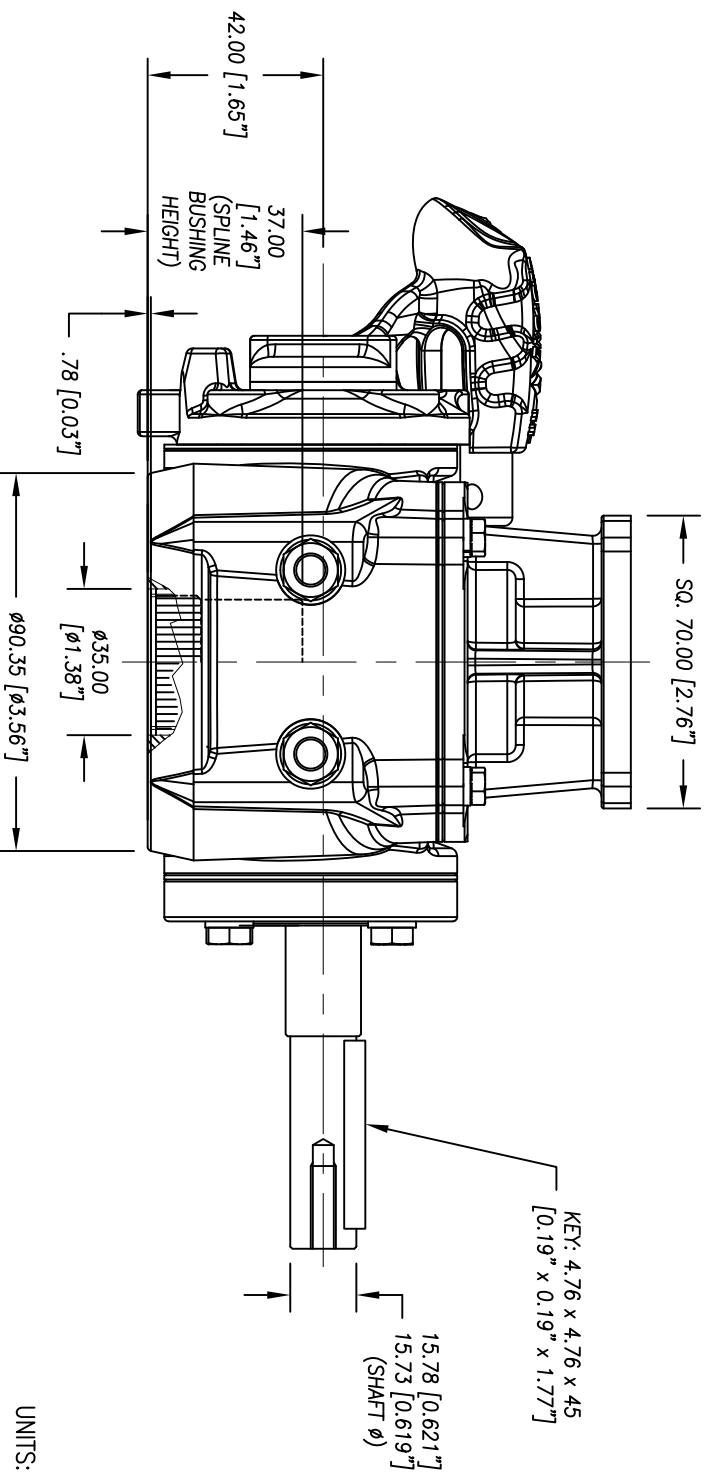


DIAMOND GEAR

3DW31



Standard Mounting
Flange For Valve ISO F07 & F10



MAX. OUTPUT TORQUE [N.LB]	MAX. INPUT TORQUE [N.LB]	RATIO	MECHANICAL ADVANTAGE	OUTPUT ANGULAR STROKE	TURN PER 90°	WEIGHT [LB]	MAX. ROUND BORE [IN.]	MAX. SQUARE BORE [IN.]	STANDARD ACTUATOR MOUNTING STRADDLE C/L	STANDARD VALVE MOUNTING STRADDLE C/L
3000	268	31:1	11.2	±10°	7.75	13	∅0.75 Key: 3/16" x 3/16"	0.59	F05 & F07	F05 & F07



CNC FLOW CONTROL
HOUSTON, TEXAS, USA
PHONE: 713-466-1644, FAX: 713-466-1715



UNITS: MM [Inches]
C921140A 10/12/18

DIA.	RM PULL AT MAX. I/P TORQUE (lbs.)
6"	92
8"	67
10"	54
12"	45
14"	38

REV. B