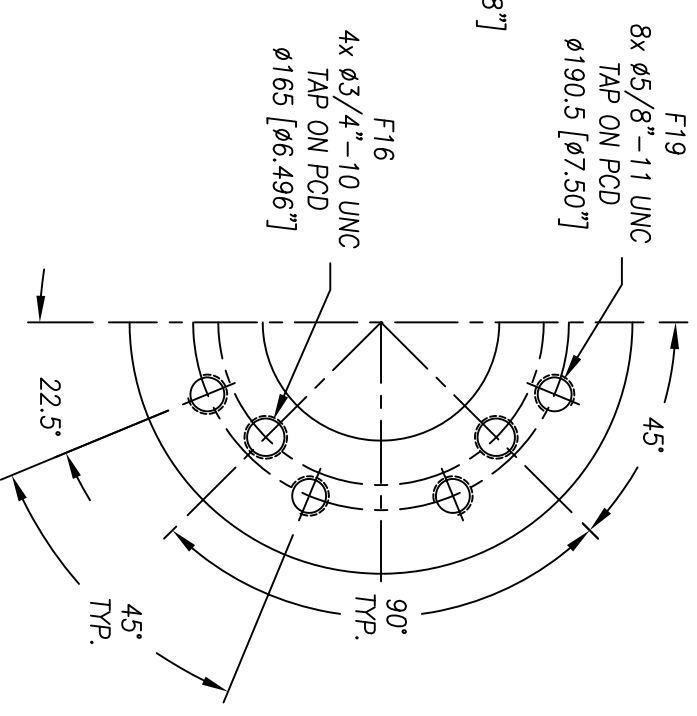
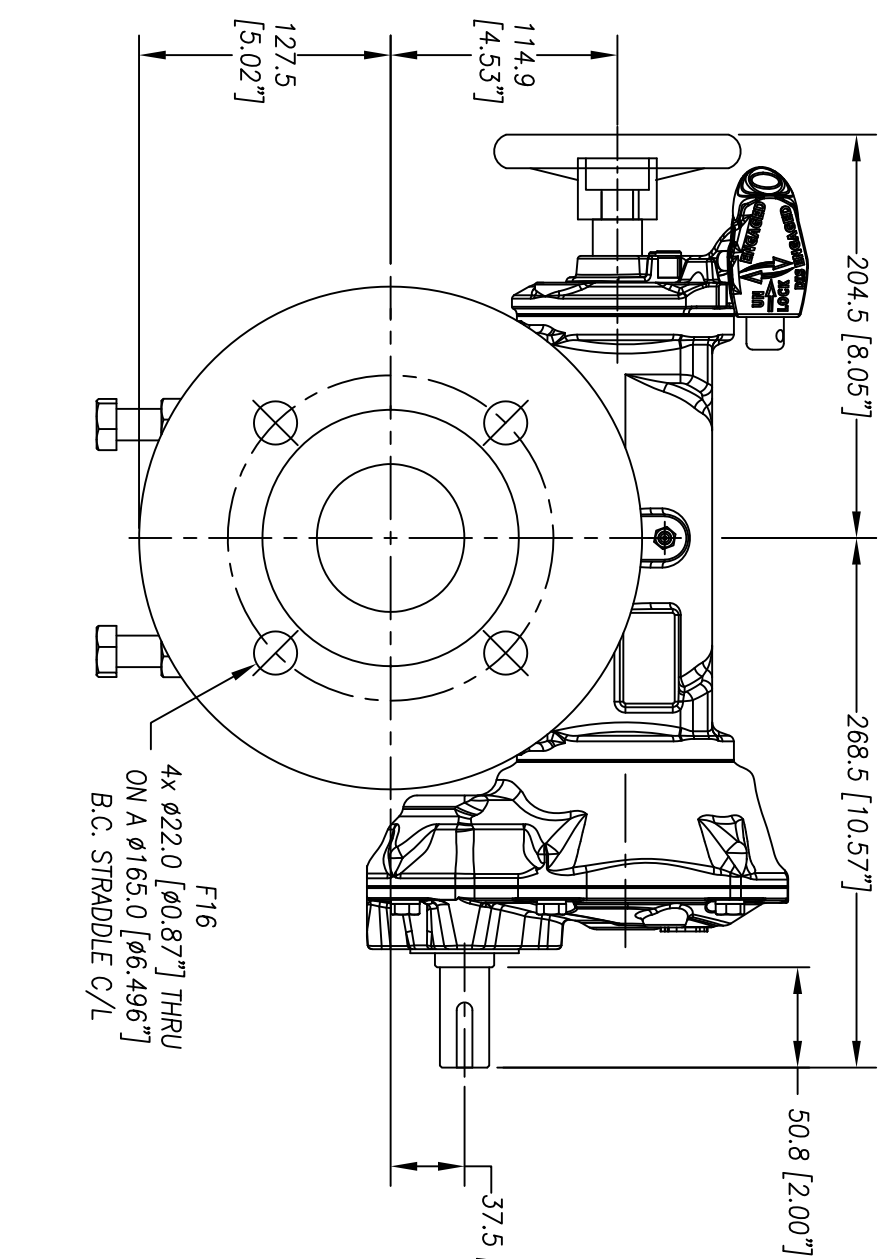
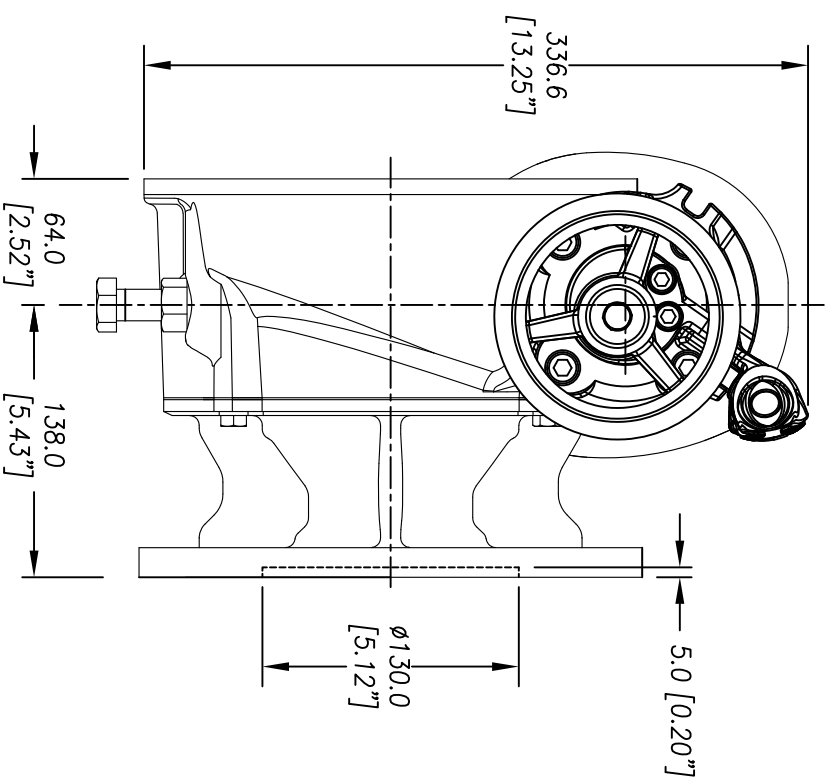


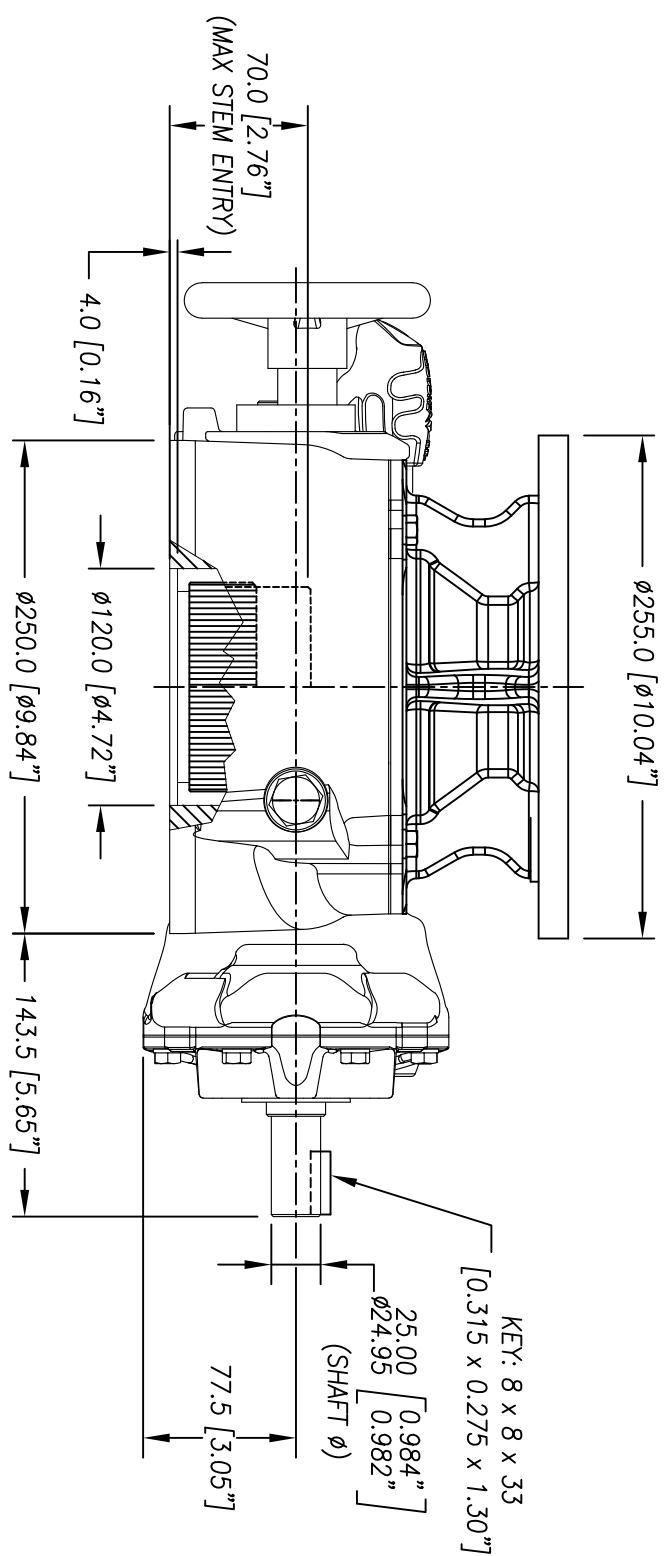
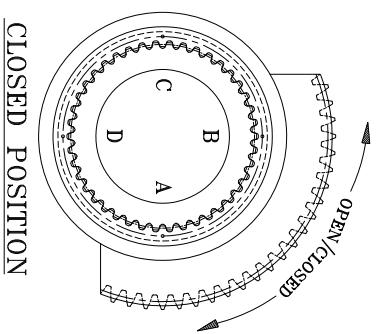
DIAMOND GEAR

41DW94



Standard Mounting
Flange For Valve

ISO F16 & F19



DIA.	RIM PULL AT MAX. I/P TORQUE (lbs.)
18"	112
20"	101
24"	84
30"	67

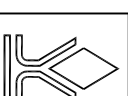
REV. C

UNITS: MM [Inches]

0201036D

12/19/2018

MAX. OUTPUT TORQUE [N.LB]	MAX. INPUT TORQUE [N.LB]	RATIO	MECHANICAL ADVANTAGE	OUTPUT ANGULAR STROKE	TURN PER 90°	WEIGHT [LB]	MAX. ROUND BORE [IN.]	MAX. SQUARE BORE [IN.]	STANDARD ACTUATOR MOUNTING STRADDLE C/L [IN.]	STANDARD VALVE MOUNTING STRADDLE C/L [IN.]
41,457	1,009	94:1	41	±20°	23.5	99	$\phi 2.75$ Key: 3/4" x 1/2"	2.44	F16	F16 & F19



CNC FLOW CONTROL
HOUSTON, TEXAS, USA
PHONE: 713-466-1644, FAX: 713-466-1715

