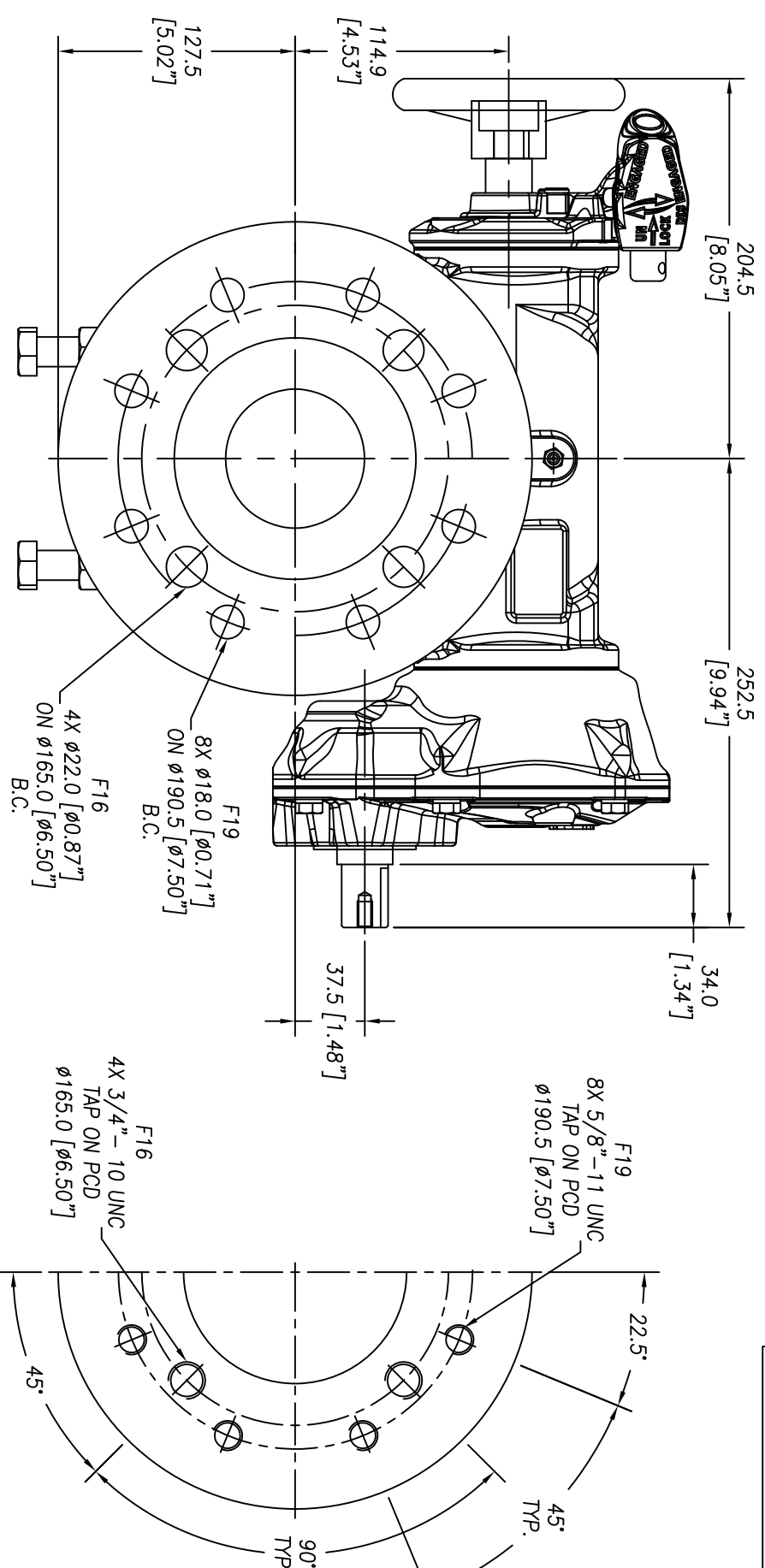
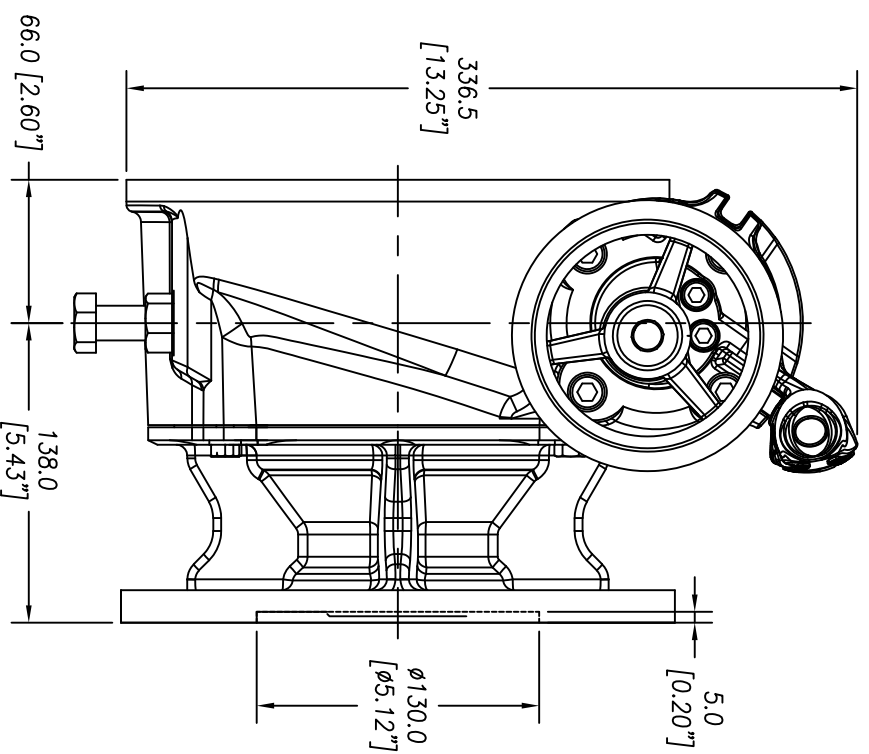
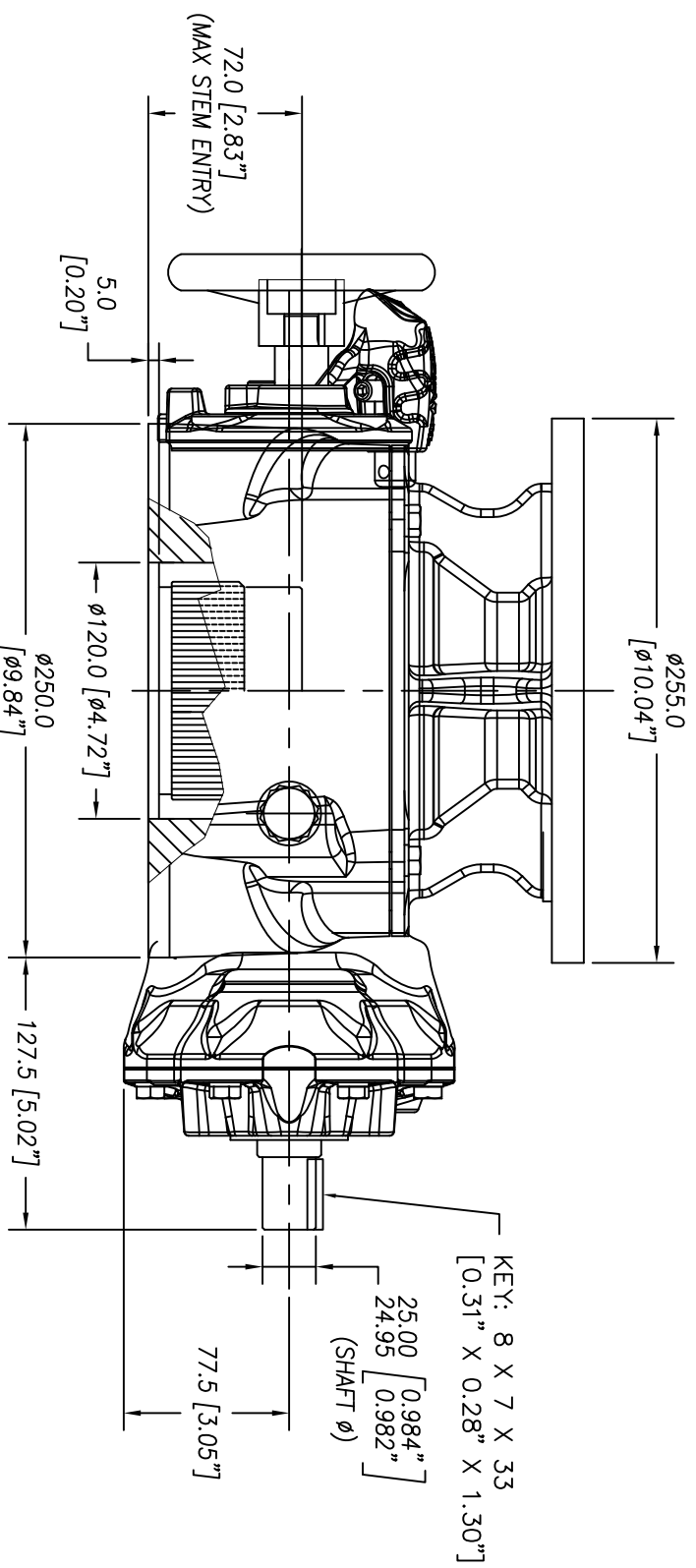
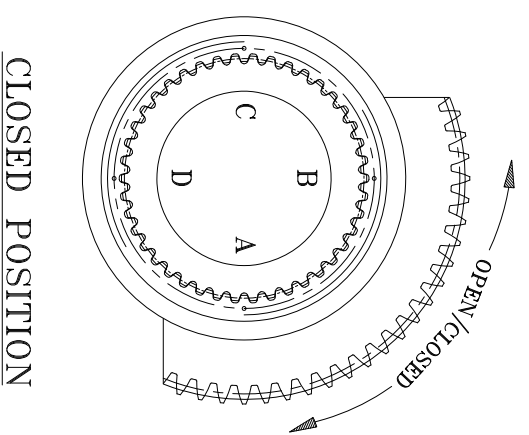


DIAMOND GEAR

43DW99



Standard Mounting
Flange For Valve ISO F16 & F19



UNITS: MM [Inches]

MAX. OUTPUT TORQUE [N.LB]	MAX. INPUT TORQUE [N.LB]	RATIO	MECHANICAL ADVANTAGE	OUTPUT ANGULAR STROKE	TURN PER 90°	WEIGHT [LB]	MAX. ROUND BORE [IN.]	MAX. SQUARE BORE [IN.]	STANDARD ACTUATOR MOUNTING STRADDLE C/L	STANDARD VALVE MOUNTING STRADDLE C/L
42,980	1,447	98.7:1	29.7	±20°	24.7	99	Ø2.875	2.44	F16 & F19	F16 & F19
							Key: 3/4 x 1/2			

C921226A

12/19/18

REV. 0

HW DIA.	RIM PULL AT MAX. I/P TORQUE (Lbs.)
22"	131



CNC FLOW CONTROL
HOUSTON, TEXAS, USA



PHONE: 713-466-1644, FAX: 713-466-1715