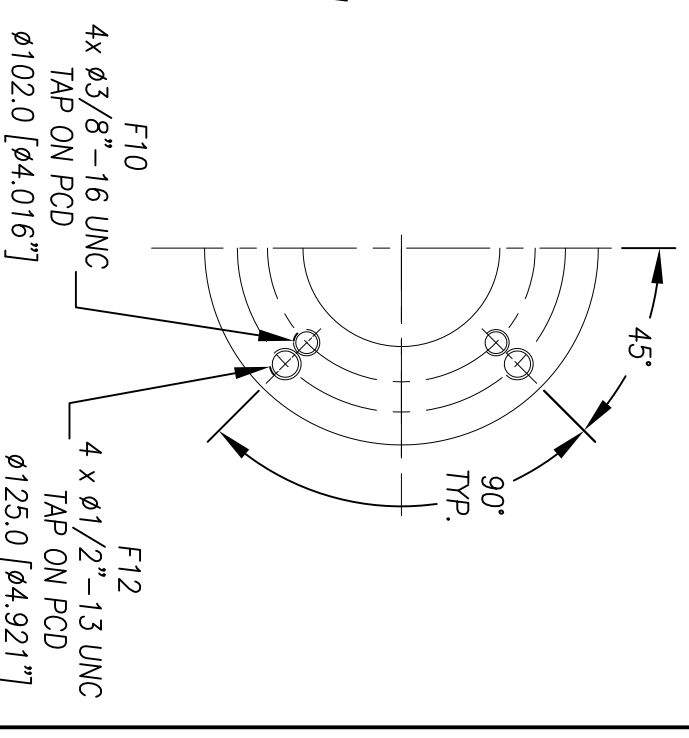
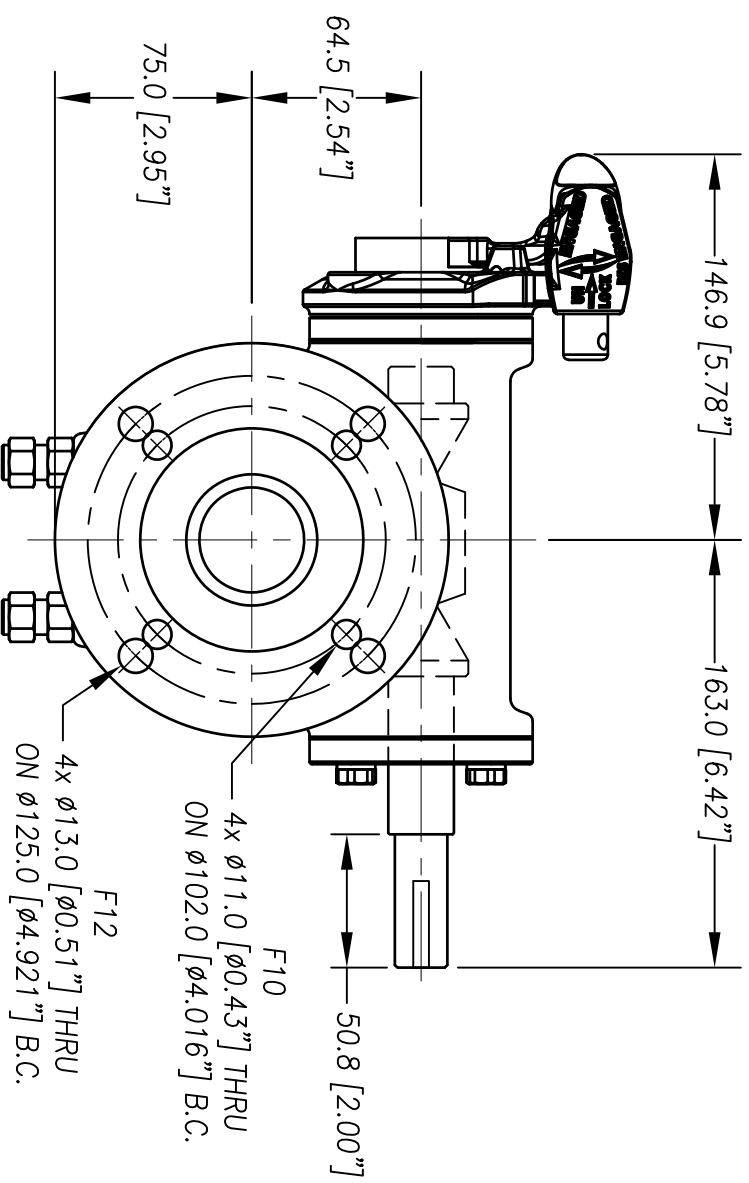
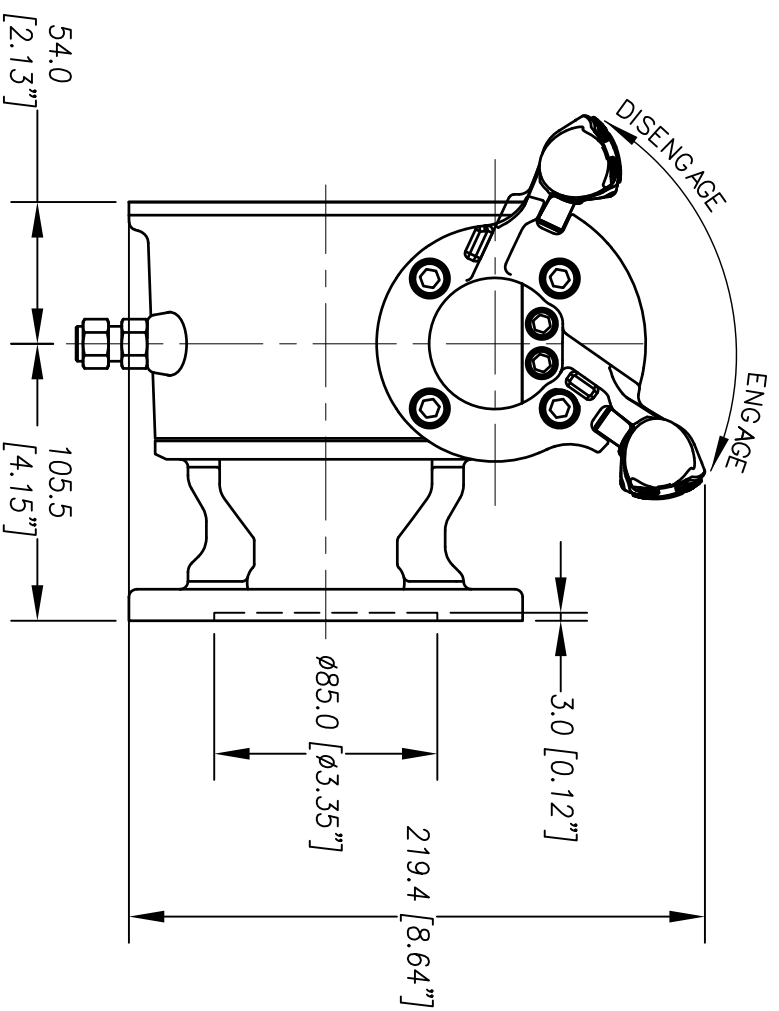
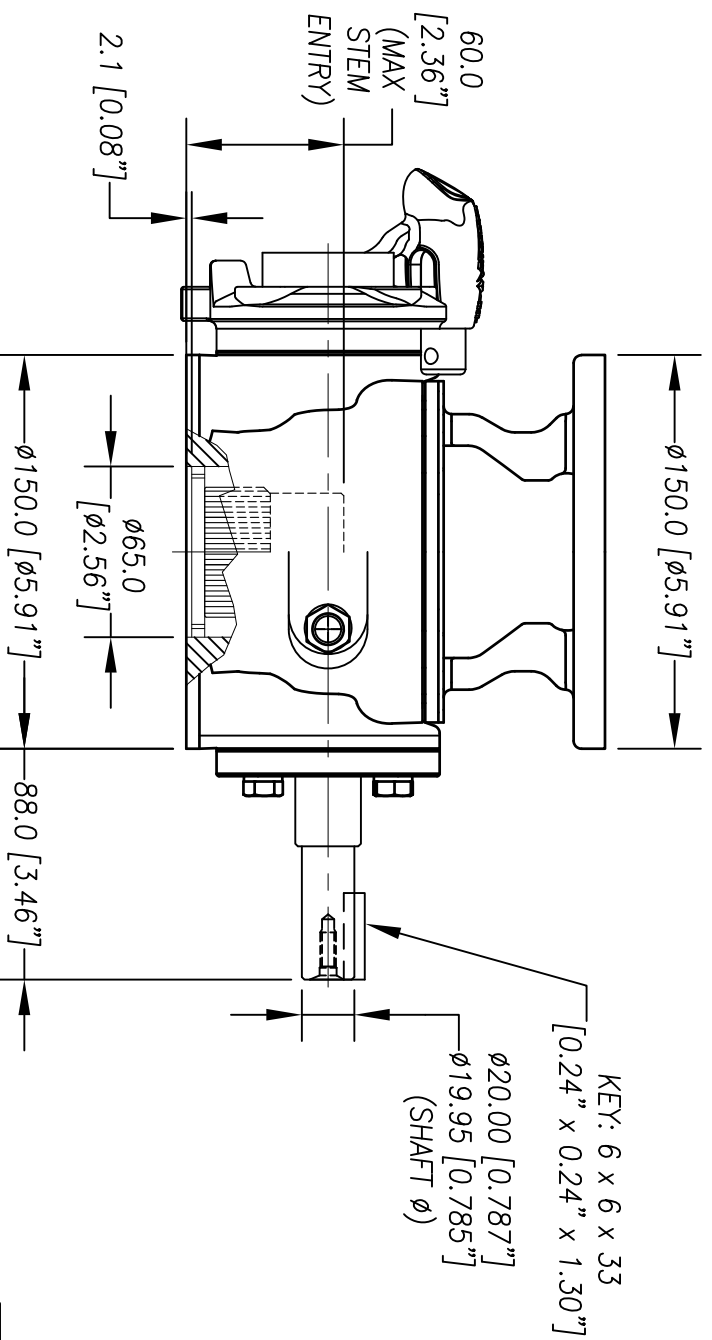
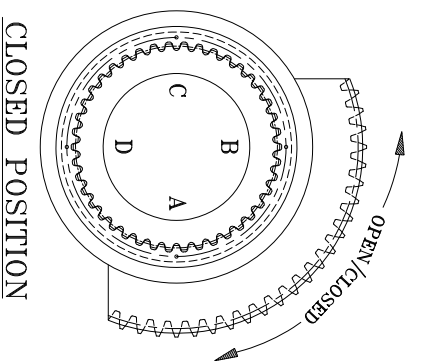


DIAMOND GEAR

5DW35



Standard Mounting
Flange For Valve ISO F10 & F12



KEY: 6 x 6 x 33
[0.24" x 0.24" x 1.30"]
Ø20.00 [0.787"]
Ø19.95 [0.785"]
(SHAFT Ø)

H.W. DIA.	RIM PULL AT MAX. I/P TORQUE (lbs.)
8"	71
10"	57
12"	47
14"	41
16"	36

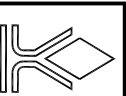
REV. D

0201040D

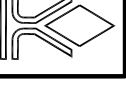
12/19/18

UNITS: MM [Inches]

MAX. OUTPUT TORQUE [N.LB]	MAX. INPUT TORQUE [N.LB]	RATIO	MECHANICAL ADVANTAGE	OUTPUT ANGULAR STROKE	TURN PER 90°	WEIGHT [LB]	MAX. ROUND BORE [IN.]	MAX. SQUARE BORE [IN.]	STANDARD ACTUATOR MOUNTING STRADDLE C/L [IN.]	STANDARD VALVE MOUNTING STRADDLE C/L [IN.]
5,381	285	36:1	18.9	±20°	9	33	Ø1.375 Key: 3/8x1/4	1.23	F10 & F12	F10 & F12



CNC FLOW CONTROL
HOUSTON, TEXAS, USA



PHONE: 713-466-1644, FAX: 713-466-1715