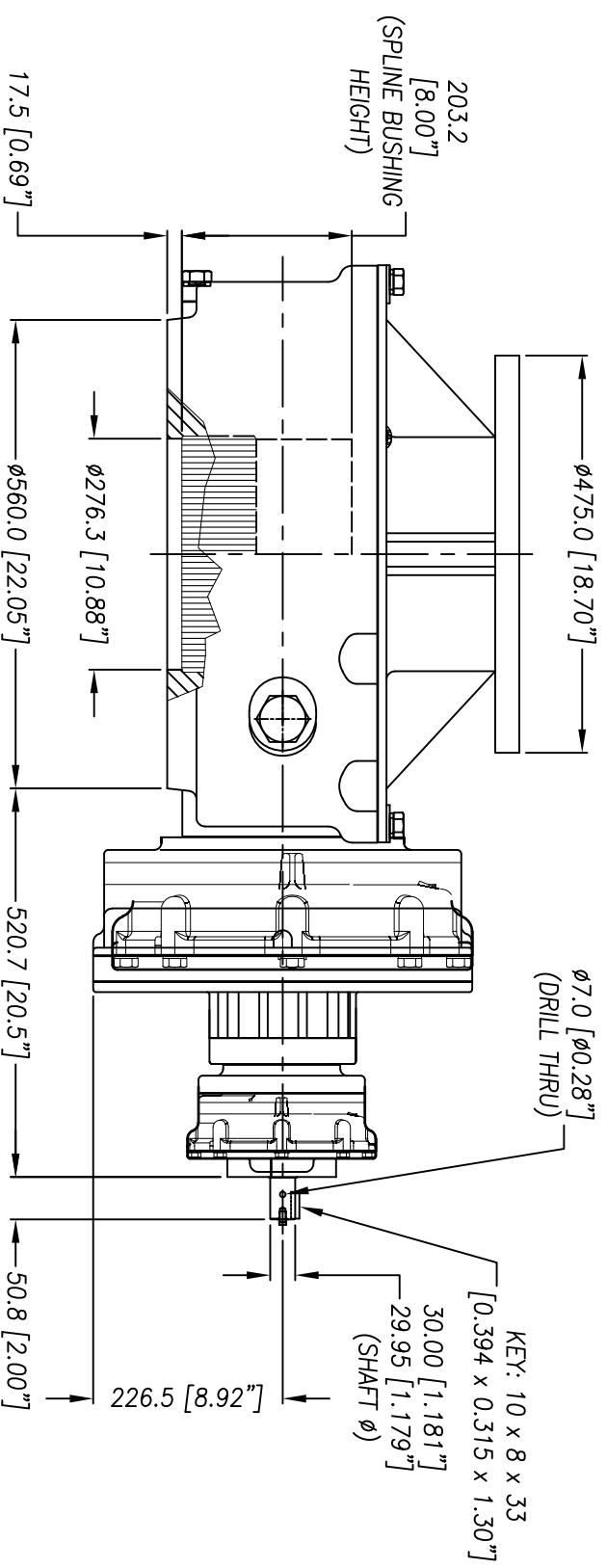
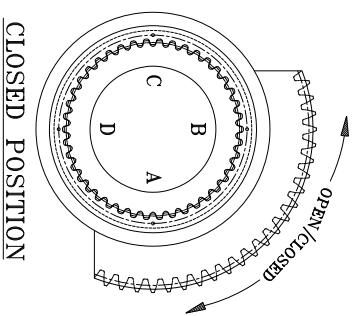
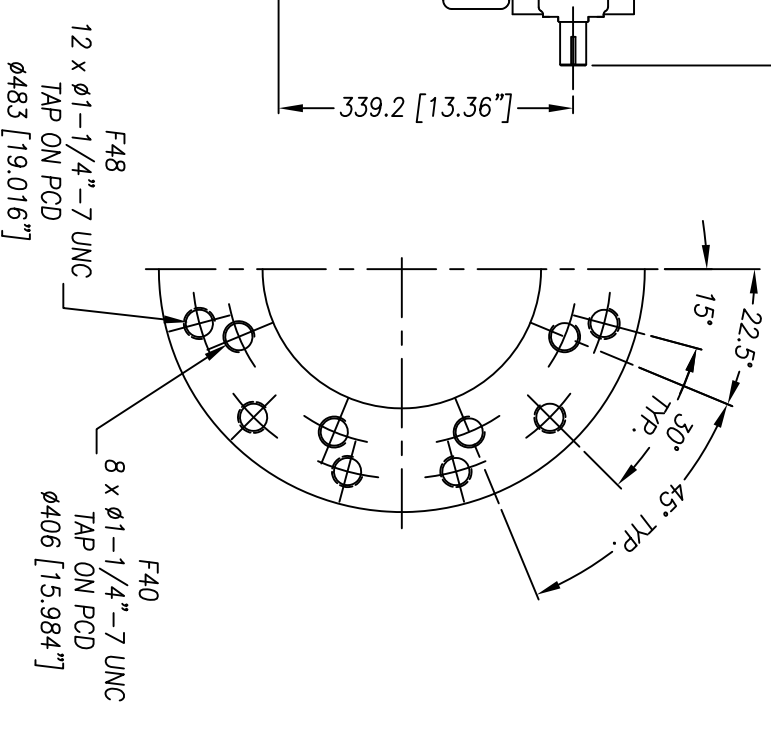
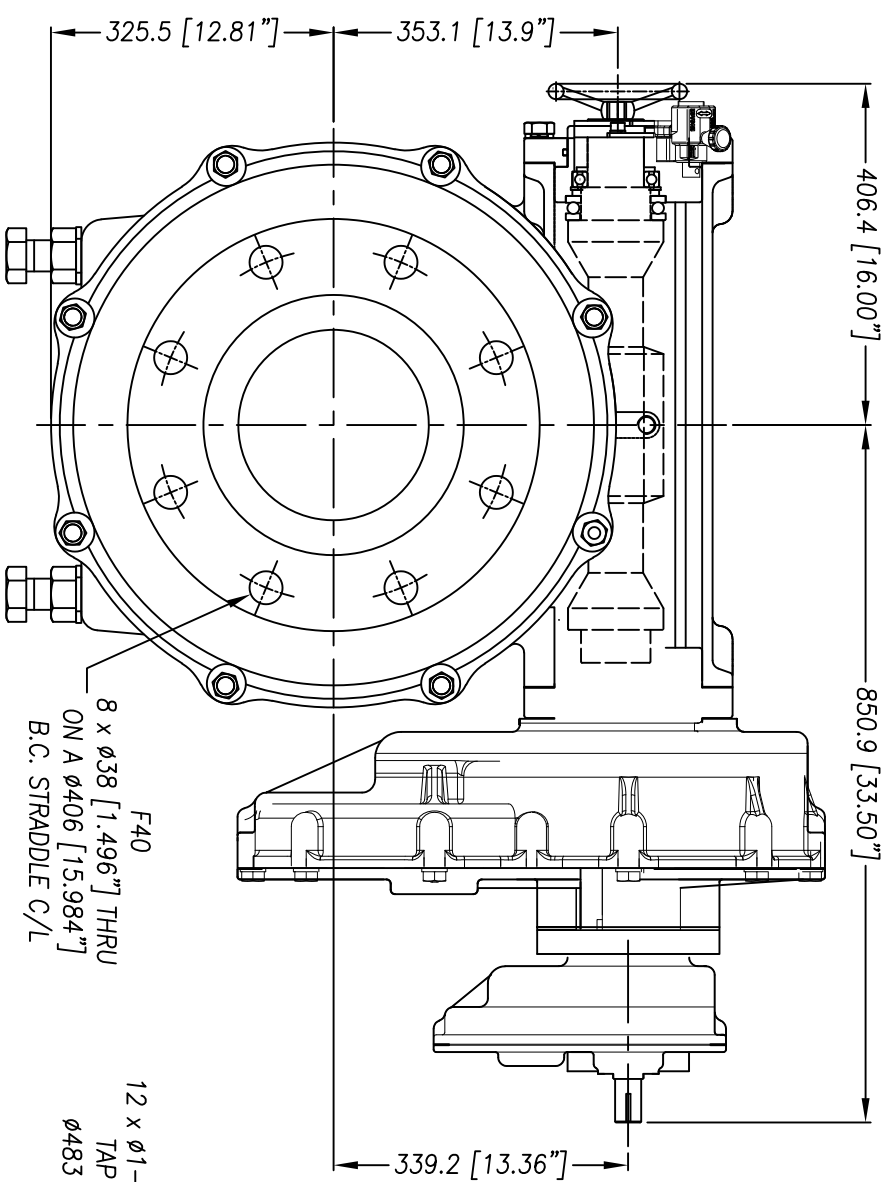
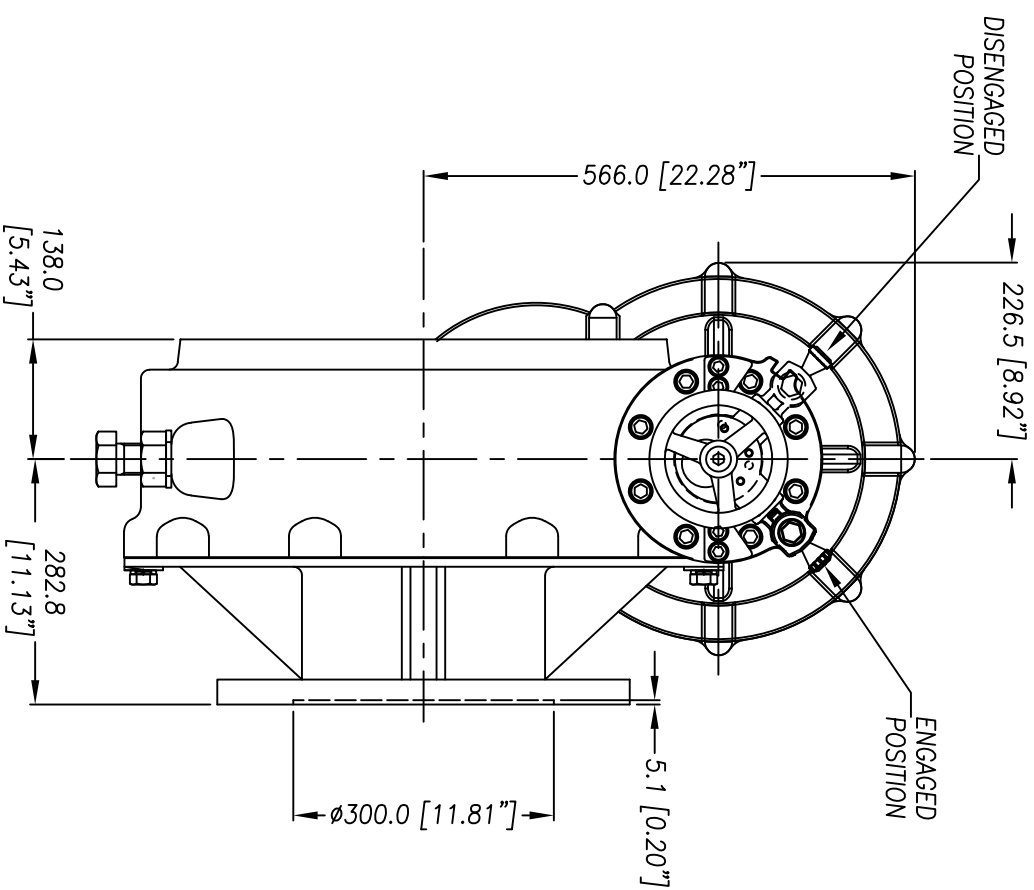


# DIAMOND GEAR

# 650DW2041



DIA.	RIM PULL AT MAX. 1/P TORQUE (lbs.)
24"	106
30"	85
36"	71
48"	53

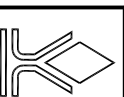
REV. E

0201045D

12/19/18

UNITS: MM [Inches]

MAX. OUTPUT TORQUE [N.LB]	MAX. INPUT TORQUE [N.LB]	RATIO	MECHANICAL ADVANTAGE	OUTPUT ANGULAR STROKE	TURN PER 90°	WEIGHT [LB]	MAX. ROUND BORE [IN.]	MAX. SQUARE BORE [IN.]	STANDARD ACTUATOR MOUNTING STRADDLE C/L	STANDARD VALVE MOUNTING STRADDLE C/L
651,057	1,276	2041:1	510	$\pm 10^\circ$	510.25	1,510	$\phi 8.50$ Key: 2" x 1-1/2"	7.0	F40	F40 & F48



**CNC FLOW CONTROL**

HOUSTON, TEXAS, USA

PHONE: 713-466-1644, FAX: 713-466-1715

