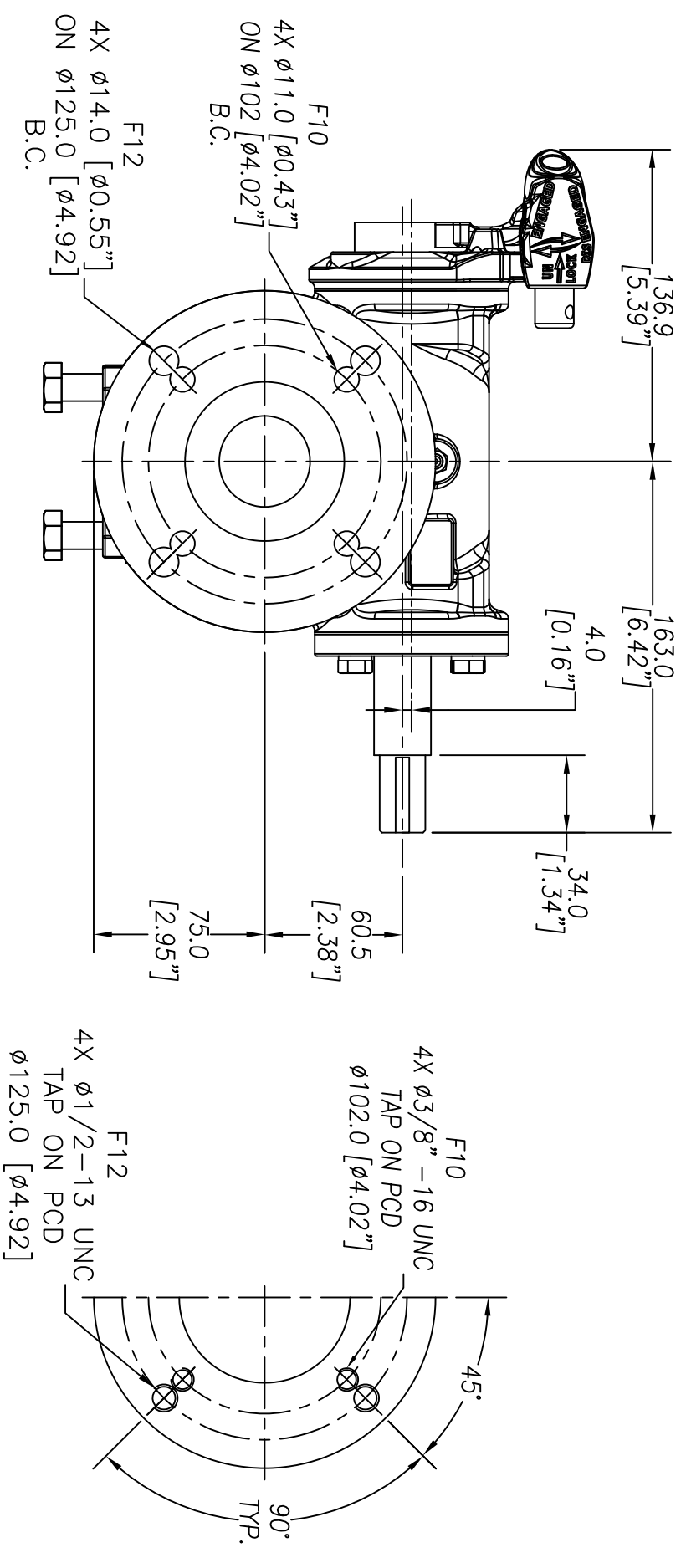
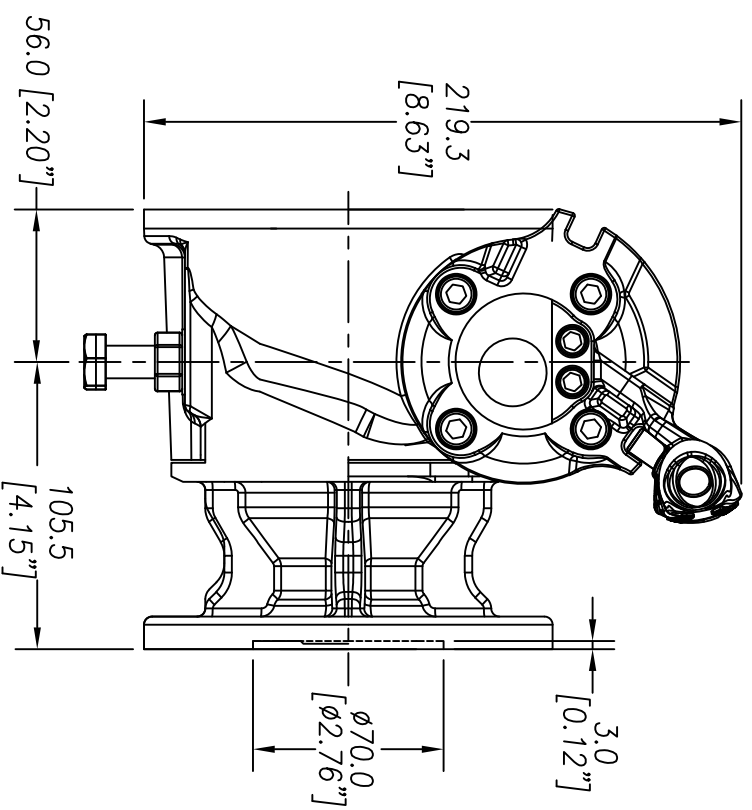
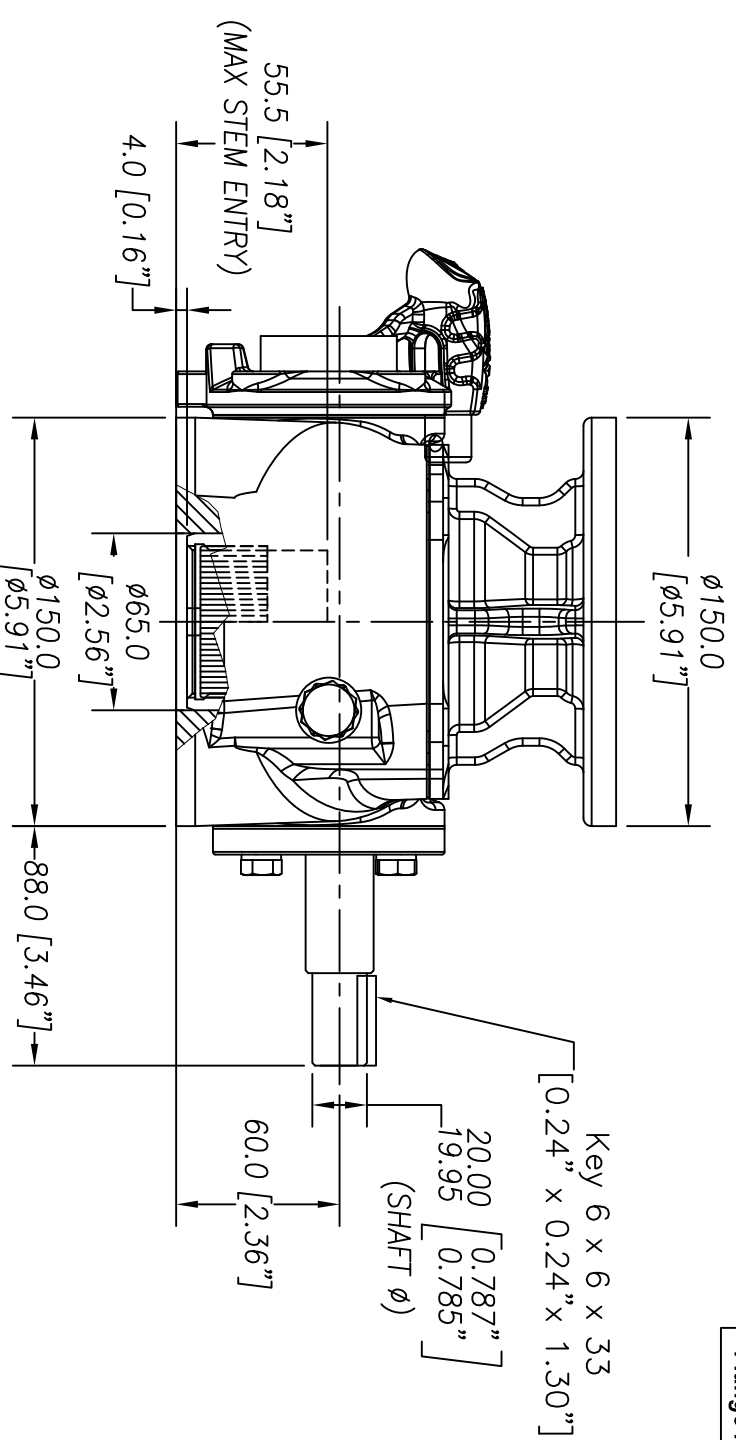
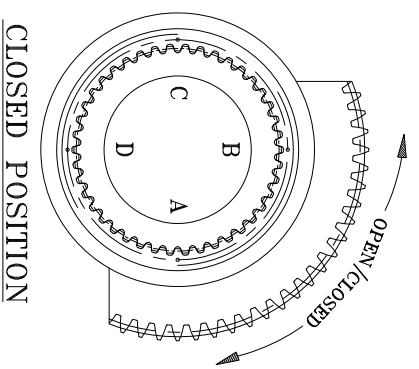


# DIAMOND GEAR

# 7DW36



Standard Mounting  
Flange For Valve ISO F10 & F12



HW DIA.	RIM PULL AT MAX. I/P TORQUE (Lbs.)
12"	92

REV. 0

C921224A

01/11/19

UNITS: MM [Inches]

MAX. OUTPUT TORQUE [N.LB]	MAX. INPUT TORQUE [N.LB]	RATIO	MECHANICAL ADVANTAGE	OUTPUT ANGULAR STROKE	TURN PER 90°	WEIGHT [LB]	MAX. ROUND BORE [IN.]	MAX. SQUARE BORE [IN.]	STANDARD ACTUATOR MOUNTING STRADDLE C/L	STANDARD VALVE MOUNTING STRADDLE C/L
6,982	554	36:1	12.6	±20°	9	33	Ø1.25	0.9375	F10 & F12	F10 & F12
							Key: 3/8 x 1/4			



**CNC FLOW CONTROL**  
HOUSTON, TEXAS, USA  
PHONE: 713-466-1644, FAX: 713-466-1715

