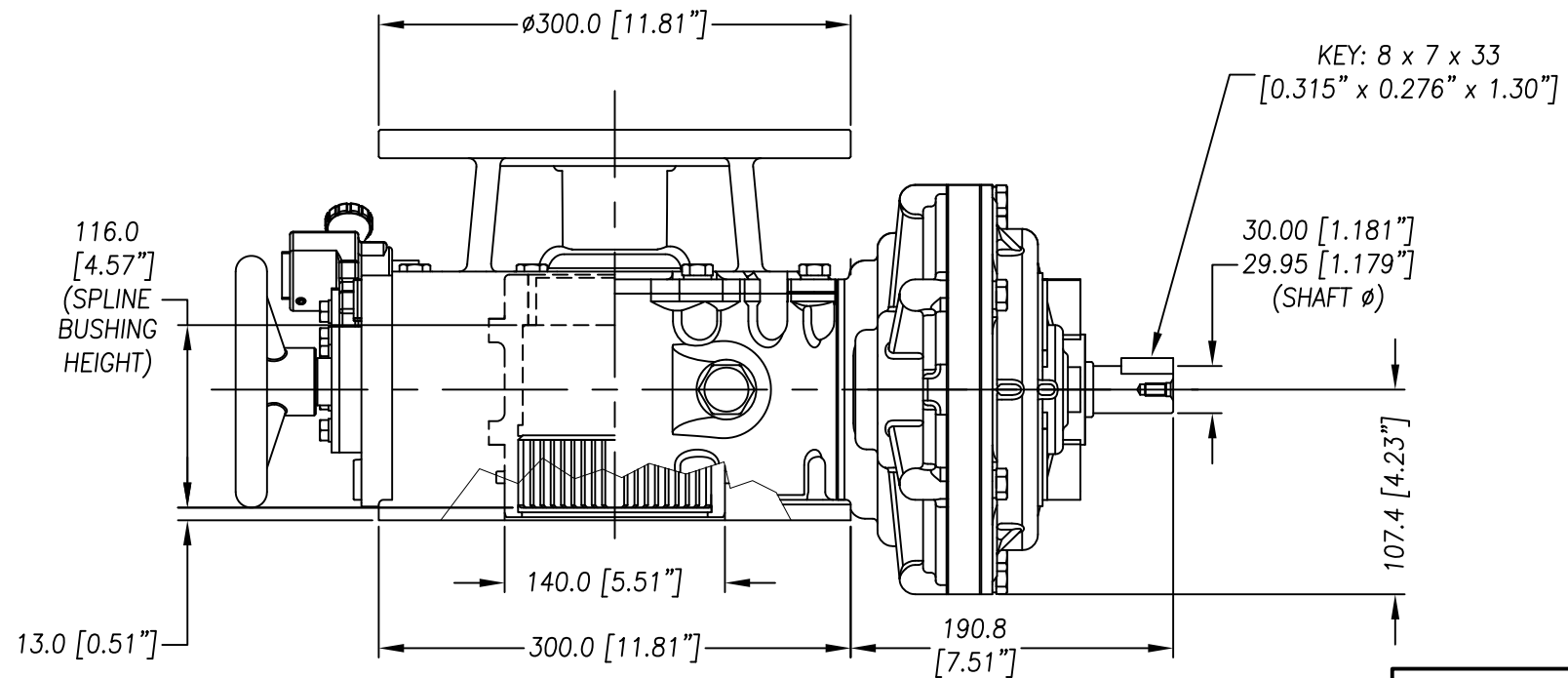
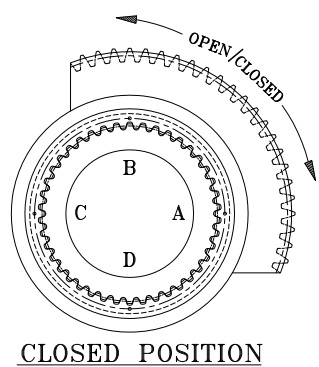


Standard Mounting Flange For Valve ISO FA25



DIA.	RIM PULL AT MAX. 1/P TORQUE (Lbs.)
18"	98
20"	88
24"	74
30"	59

UNITS: MM [Inches]

MAX. OUTPUT TORQUE [IN.LB]	MAX. INPUT TORQUE [IN.LB]	RATIO	MECHANICAL ADVANTAGE	OUTPUT ANGULAR STROKE	TURN PER 90°	WEIGHT [LB]	MAX. ROUND BORE [IN.]	MAX. SQUARE BORE [IN.]	STANDARD ACTUATOR MOUNTING STRADDLE C/L [IN.]	STANDARD VALVE MOUNTING STRADDLE C/L [IN.]
82,046	882.2	260:1	93	±10°	65	223	ø3.74 Key: 7/8x5/8	3.00	FA25	FA25

C921168A

REV.B
10/21/16

DIAMOND GEAR CO. LTD.
 HOUSTON, TEXAS, USA
 PHONE: 713-590-0270, FAX: 713-590-0278