

2000# Barstock Ball Valve

BVSR Series

Description

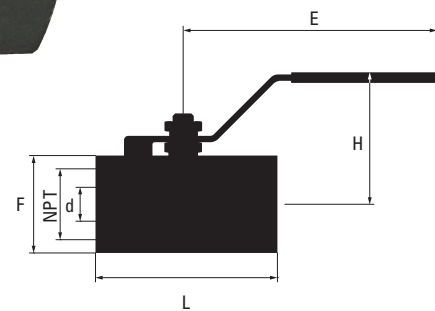
Sizes: 1/4" - 2"
 Pressure: 2,000 PSI NSCW P
 Bore: Reduced Port
 Temperature: -20°F ~ +324°F
 End Connections: Female NPT

Features

1-piece Body Design (Uni-body)
 Blow-out Proof Stem Design

Specifications

Inspection and Test per API 598
 NPT Threads per ASME B1.20.1
 Materials per NACE MR0175-2009 ed.



Nominal Size	F	H	E	L	d	Part No.	Box Qty	Weight (lbs) Each
1/4"	0.82	0.98	2.36	1.70	0.19	BVSR025-2000	100	0.28
3/8"	0.98	1.30	2.63	1.85	0.27	BVSR0375-2000	100	0.37
1/2"	1.18	2.13	4.96	2.46	0.36	BVSR050-2000	50	0.73
3/4"	1.42	2.24	4.96	2.75	0.49	BVSR075-2000	50	1.08
1"	1.81	2.56	5.24	3.38	0.62	BVSR100-2000	30	2.10
1 1/4"	2.16	2.95	5.90	3.67	0.78	BVSR125-2000	20	3.00
1 1/2"	2.40	3.19	6.69	4.00	0.96	BVSR150-2000	12	3.98
2"	2.95	3.54	6.69	4.50	1.25	BVSR200-2000	10	6.45

Part Description	Material	Qty
Body	ASTM A105	1
Ball	A182-F316 SS	1
Seat	RTFE	2
Body O-Ring	PTFE	1
Stem	A276-316 SS	1